



WWB3G

3-Gallon Hot Water Dispenser



3-Gallon Hot Water Dispenser



MAIN FEATURES

- Digital Controls and LCD Display for Ease of Operation
- Precise Temperature Control and Accuracy
- Temperature Control Range From 150°F – 205°F
- Stainless Steel Construction
- Tomlinson® No-Drip® Tap Operation*
- Night Mode – Hot Water When You Need It
- Automatic Water Refill
- Guard Rails for Warming Surface
- Removable Drip Tray for Easy and Convenient Cleaning
- Small Footprint Saves on Counter Space
- Uses: Tea, Coffee, Soups, Grits, Oatmeal, etc.
- Limited One Year Warranty

*Tomlinson®, No-Drip® and the Faucet and Handle configurations are registered trademarks of The Meyer Company, Cleveland, OH

SALES FEATURES

Hot water is an essential element for the majority of working kitchens. With many kitchens having limited space, this 3-gallon hot water dispenser is the perfect solution. Night-mode feature adds even more efficiency by providing hot water precisely when you need it.

ELECTRICAL

Voltage: 120

Frequency: 60Hz

Watts: 1440

Plug Type: NEMA 5-15P 

Cord Length: 3 feet



@waringcommercial

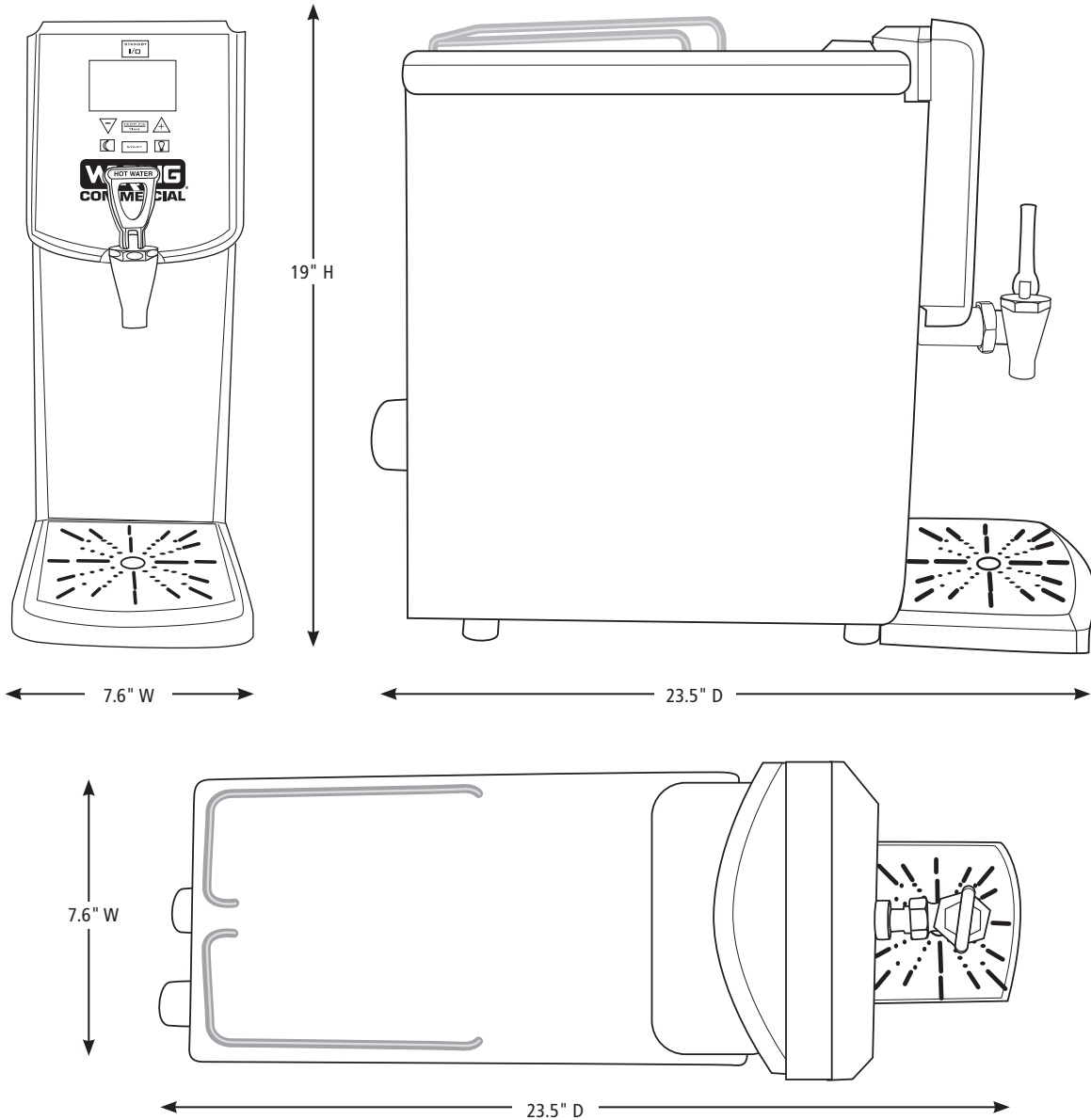
©2021 Waring Commercial
314 Ella T. Grasso Avenue, Torrington, CT 06790
Tel. 800-492-7464 • Fax 860-496-9008

waringcommercialproducts.com

WWB3G



DIMENSIONS



Out of Box Weight: 23.1 lb.

ORDERING INFORMATION	#STD. PKG.	GIFTBOX WEIGHT	CUBIC FEET	BOX DIMENSIONS D X W X H	UPC	CASE PKG.	MC WEIGHT	MC DIMENSIONS D X W X H	MBC
WWB3G – 3-Gallon Hot Water Dispenser	1	23.2 lb.	2.645	21.77" x 9.68" x 21.69"	040072088209	2	54 lb.	22.6" x 20.1" x 29.4"	10040072088206



@waringcommercial

©2021 Waring Commercial
314 Ella T. Grasso Avenue, Torrington, CT 06790
Tel. 800-492-7464 • Fax 860-496-9008

waringcommercialproducts.com

21WC078546 / REV 05/21