



# WDM20

## Light-Duty Single Spindle Drink Mixer



Light-Duty Single Spindle Drink Mixer



### MAIN FEATURES

- Independent, high-performance, 1 peak HP motor is user-replaceable for continued operation
- Includes thermal protection to prolong motor life
- Manual, 2-speed HI/LOW controls via toggle switch
- Extra-wide cup rest with 2-step malt cup positions provides increased stability and flexibility during operation
- Includes 1 agitator and 1 dishwasher safe stainless steel malt beverage cup
- Increased cup clearance: Slide cups into position without tilt
- 4 non-slip feet keep unit in place during operation
- Fully automatic, cup activated, one-handed operation
- Heavy-weighted base with metal kick-stand for added stability to prevent tipping
- Limited One-Year Warranty

### ELECTRICAL

Voltage: 120

Frequency: 60Hz

Watts: 130

Amps: 1.1

Plug Type: NEMA 5-15P ⓘ

Cord Length: 6 feet



### SALES FEATURES

The hands-free, cup-activated Waring® WDM20 Single-Spindle Drink Mixer turns hard or soft ice cream into classic malts and milkshakes with a 1 peak HP, high-performance motor. Slide the stainless steel malt cup straight into position and toggle the 2-speed switch to make fast, frozen drinks your customers will love. Designed for front-of-house use wherever delicious malts and milkshakes are in demand.



@waringcommercial

©2023 Waring Commercial  
314 Ella T. Grasso Avenue, Torrington, CT 06790  
Tel. 800-492-7464 • Fax 860-496-9008

[waringcommercialproducts.com](http://waringcommercialproducts.com)

WDM20



# Light-Duty Single Spindle Drink Mixer WDM20

## PARTS & ACCESSORIES



**CAC20** Stainless Steel Malt Cup



**CAC112** Solid Agitator (6 pack)

## OTHER ACCESSORIES

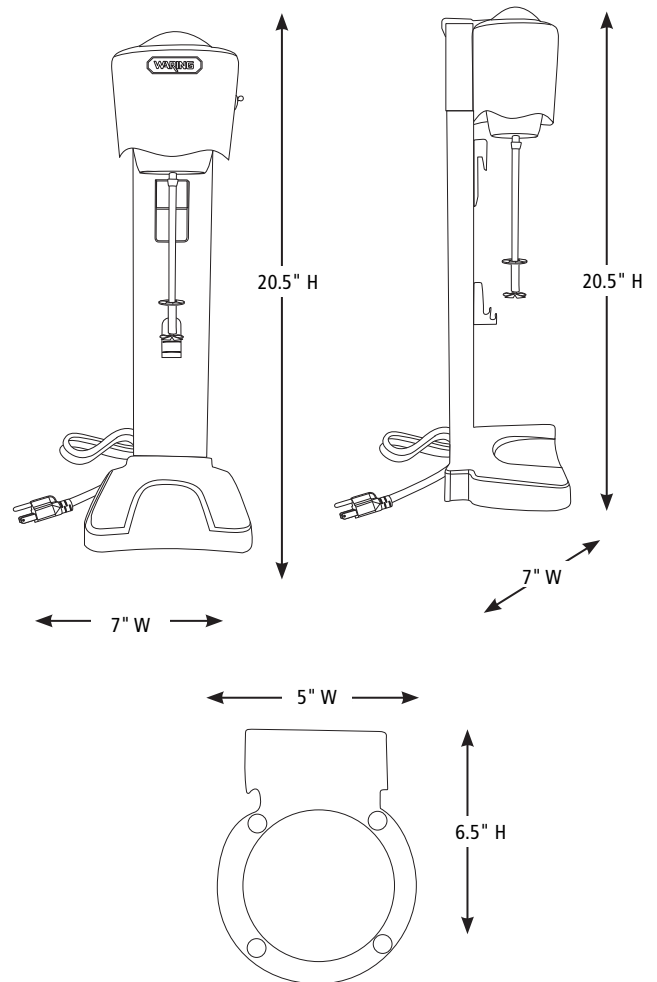


**CAC123** Butterfly Agitator (6 pack)



**036627** Wagon Wheel Agitator  
(1 piece)

## DIMENSIONS



Out of Box Weight: 10 lb.

ORDERING INFORMATION	#STD. PKG.	GIFTBOX WEIGHT	CUBIC FEET	BOX DIMENSIONS L X W X H	UPC	CASE PKG.	MC WEIGHT	MC DIMENSIONS L X W X H	MBC
WDM20 – Single-Spindle Drink Mixer	1	16.75	1	9" x 10.375" x 22"	040072100369	1	16.75	11.25" x 9.375" x 22.75"	10040072100366



@waringcommercial

©2023 Waring Commercial  
314 Ella T. Grasso Avenue, Torrington, CT 06790  
Tel. 800-492-7464 • Fax 860-496-9008

waringcommercialproducts.com

23WC085333/ REV 05/23