



Gas Restaurant Ranges

Operating Instructions

Before you begin, please read these instructions carefully to use this product correctly, to make the product perform ideally, and to avoid hazards.

Dear customers and users:

Thank you for purchasing our products. In order to be able to better use this product, please read these instructions carefully before any operation, and follow the guide, to avoid any unnecessary trouble during using.

Please keep this instruction manual in a safe place for convenient reference and operation.

This instruction manual is subject to any change without further notice, and the manufacturer reserves the right of final interpretation.

The appliance is designed for commercial purposes, not for household use.

DANGER

If you smell gas:

- Shut off gas to the appliance.
- Extinguish any open flame.
- If odor continues, keep away from the appliance and immediately call your gas supplier or your fire department.

FOR YOUR SAFETY

Do not store or use gasoline or other flammable vapors or liquids in the vicinity of this or any other appliance.

WARNING: Improper installation, adjustment, alteration, service or maintenance can cause property damage, injury or death. Read the installation, operating and maintenance instructions thoroughly before installing or servicing this equipment.

Gas Restaurant Ranges

The Installation, Operation and Maintenance Guide

Contents

1. Safety Protection.....3

2. Brief Introduction.....3

3. Manufacturer's Authority and Responsibility.....3

4. Parameter Specifications.....4

5. Transport and Storage.....22

6. Installation and Debugging.....23

7. Safety Notices and Precautions.....25

8. Operating Instructions 26

9. Cleaning and Maintenance 30

10. Troubleshooting.....32

11. Schematic Diagram for Installation of Rear Panel33

1、 Safety Protection

△ Please make sure that the operator is an authorized and licensed technician before you allow him/her to install and operate the products. Be sure to strictly follow this instruction guide during installation and using. The manufacturer is not responsible for any dangers or accidents caused by improper operation or maintenance.

△ Do not store flammable or explosive objects around the product. Keep all flammable and explosive objects at a safe distance away from the product for normal use.

△ Place the product in a reasonable position. Regarding related matters of gas, customer should execute the requirements of local gas supply sector;

△ If you smell a gas leak, turn off the gas valves immediately and call the gas company;

△ The product should not be operated by those under 18 years of age, or those with physical or mental disorders, or disabilities that lack the necessary knowledge or experience unless with appropriate instructions and sufficient safety.

2、 Brief Instruction

Such product is the gas restaurant ranges connected with oven、 hot plates and griddle manufactured by us. The product is in novel design, reasonable structure, durable and easy to operate and maintain. The ranges include a cast-iron burner, and griddle and oven include high efficiency stainless steel tubular burners. A pilot light is equipped, making convenience for igniting the main fire burner. The oven is equipped with a flame-out protection device, to ensure the user' s safety in use, The product allows for constant temperature control and the user can adjust the required temperature as required. It is an ideal cooking appliance in the industry of hotel, supermarket, western restaurant, fast food restaurant and food.

3、 Manufacture' s Authority and Responsibility

Banning of all or partial transformation to the products without the

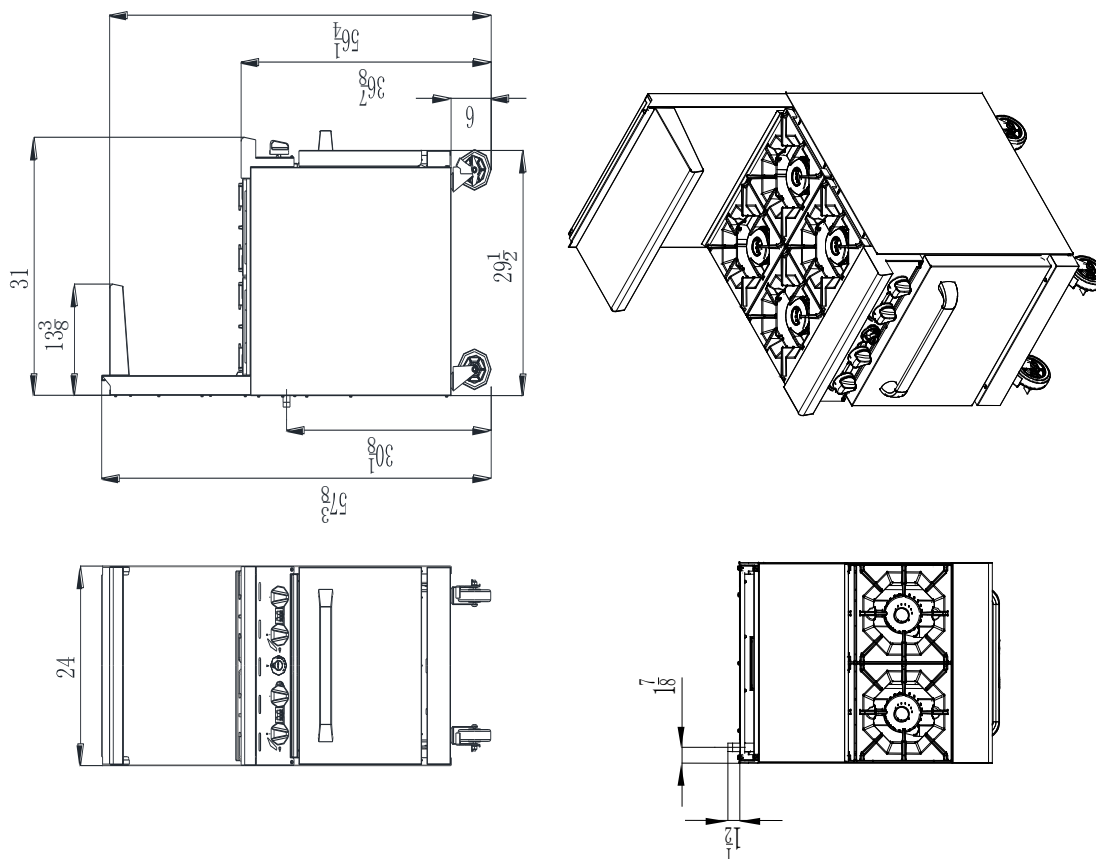
manufacturer's explicit authorization.

Manufacturers refused to undertake responsibility to third parties as the following reasons:

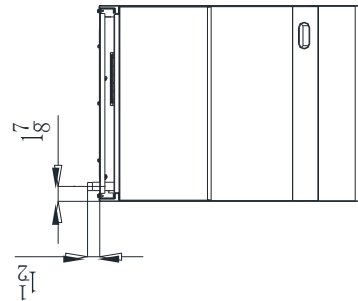
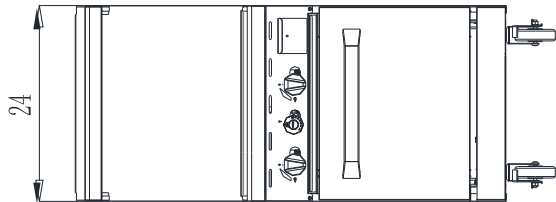
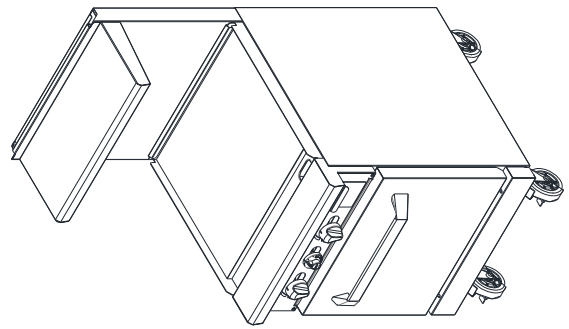
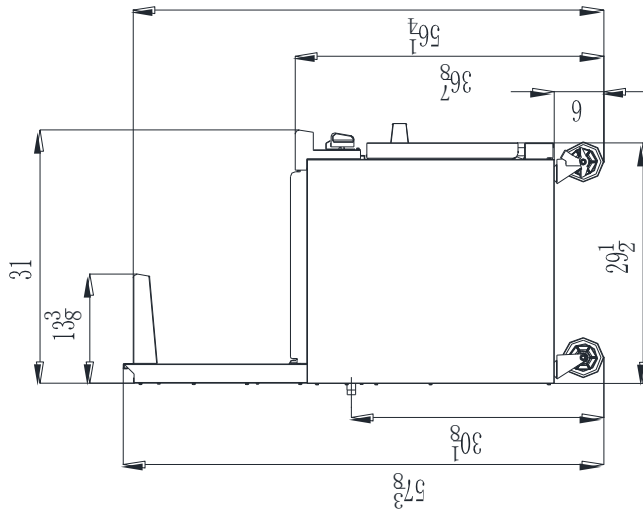
- ⚠ Not follow this instruction guidance and warning in in using and testing;
- ⚠ Not in accordance with the requirements of technical parameters using this product;
- ⚠ Incorrectly or irrationally using the product by untrained personnel;
- ⚠ Not obey the local law using this product;
- ⚠ Be repaired or changed by unauthorized technicians;
- ⚠ Use the spare parts or accessories provided by non-manufacturers;
- ⚠ Accidents caused by force majeure;
- ⚠ Not strictly comply with related guide of this instruction by any reason.

4、Parameter Specifications

4.1、24 inch series:



C-R04B



C-R0-24G

① : Size and package parameter information

<Table 1>

Model	Overall dimensions (IN) L x W x H	Packing size (IN) L x W x H	Oven dimensions (IN) L x W x H	Griddle working area (IN) L x W	Number of oven
C-R04B		26 $\frac{5}{8}$		none	1
C-R0-24G	24*31*57 $\frac{3}{8}$	*41 $\frac{3}{8}$ *41 $\frac{3}{8}$	20*26*14	24*20 $\frac{5}{8}$	1

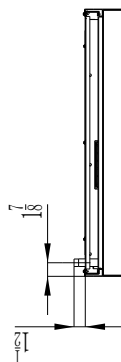
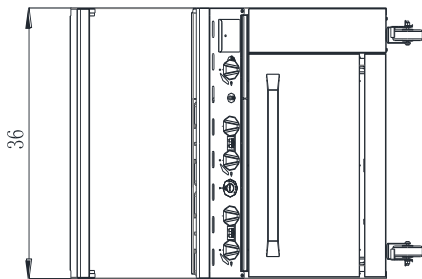
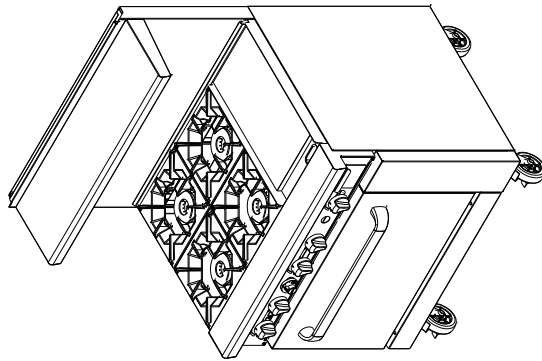
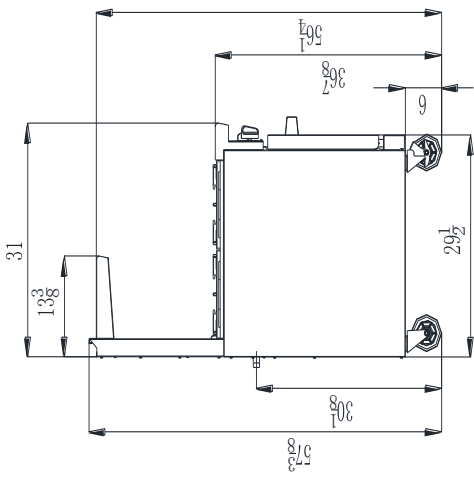
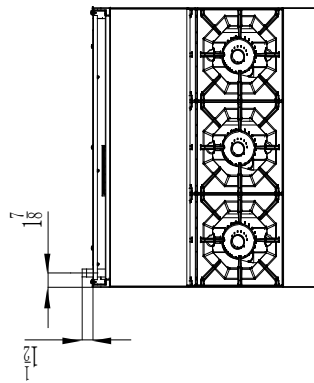
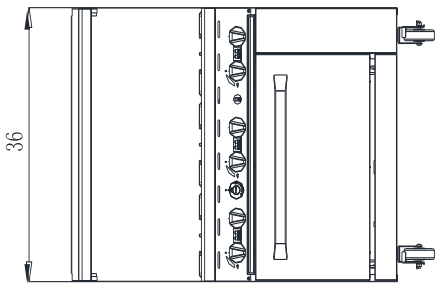
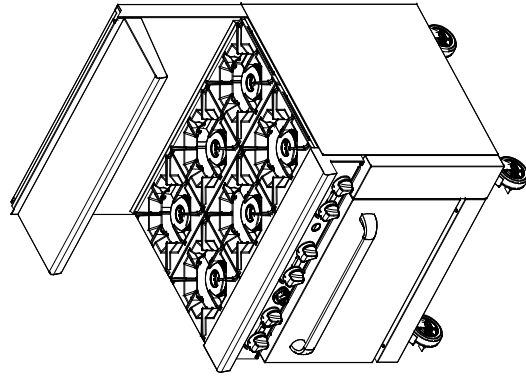
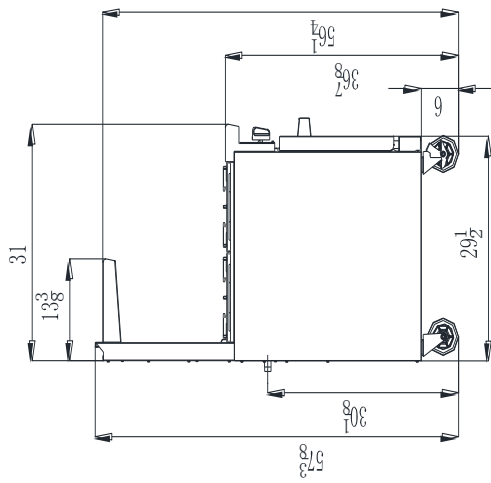
② : Information of Gas Supply and Burner

The minimum supplied gas pressure regulator is factory set at 5” Natural Gas W.C, and 10” L.P. Gas W.C. The external thread of product’ s intake-tube is 3/4 inches.

<Table 2>

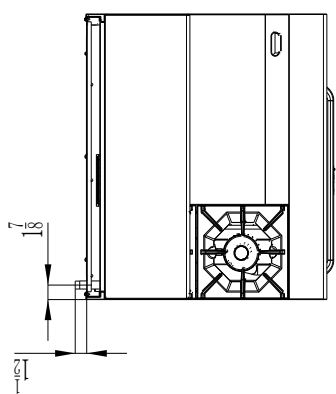
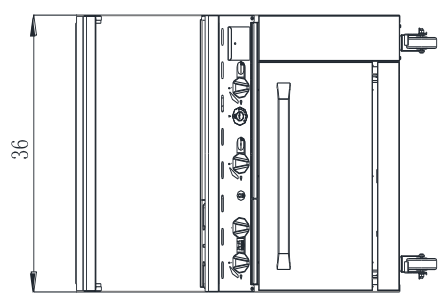
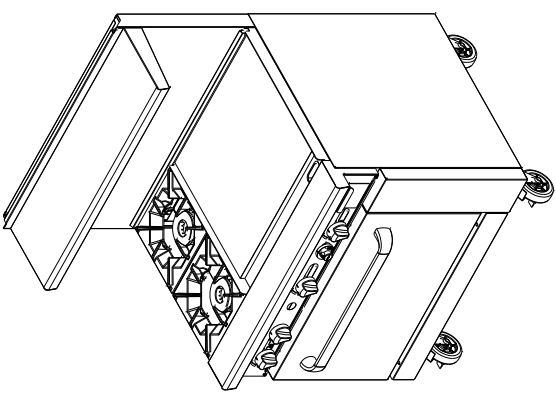
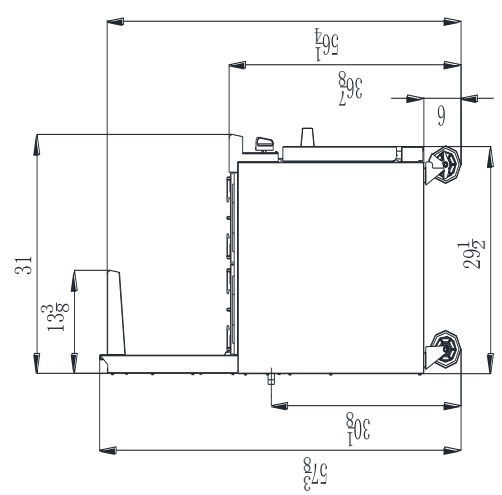
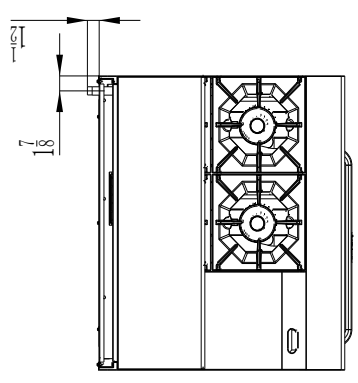
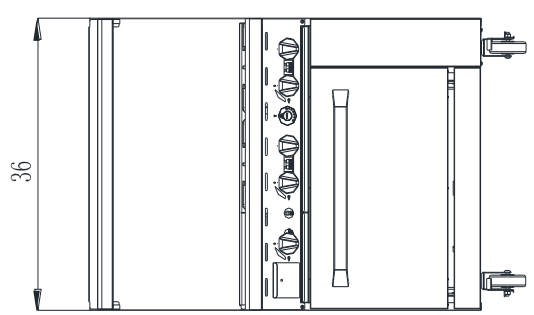
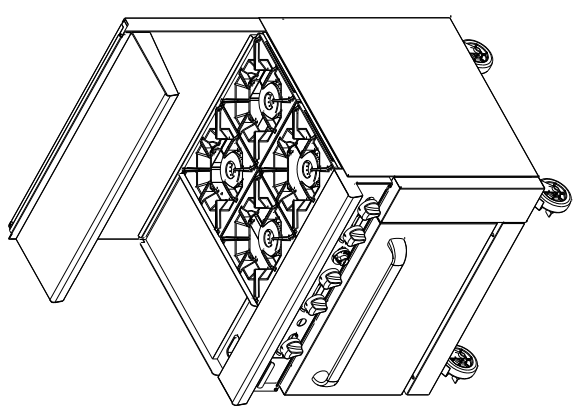
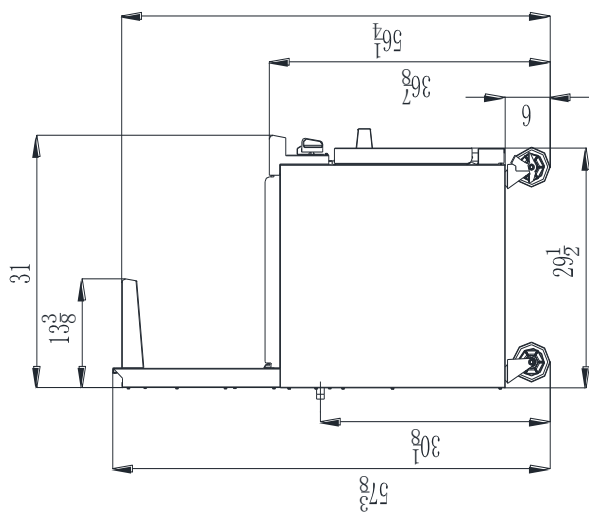
Model	Gas Species and Intake manifold pressure (in. W. C.)	Nozzle No. and Per BTU B. T. U. /h				Number of burners			Total BTU B. T. U. /h					
		Hot plates	Griddle		Oven	Hot plates	Griddle			Oven				
			U-SHAPE	I-SHAPE			U-SHAPE	I-SHAPE						
C-R04B	Natural Gas 5	NG38	NG42	NG45	NG44	4			1	152,000				
		32,000	27,000	21000	24,000					152,000				
	Propane 10	LP51	LP52	LP54	LP53					1	1	1	72,000	152,000
		32,000	27,000	21000	24,000									72,000
C-R0-24 G	Natural Gas 5	NG45	NG42	NG45	NG44	1	1	1	72,000					72,000
		25,000	27,000	21000	24,000									72,000
	Propane 10	LP54	LP52	LP54	LP53					1	1	1	72,000	72,000
		23,000	27,000	21000	24,000									72,000

4.2、36 inch series:



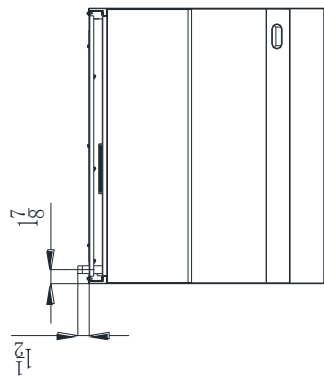
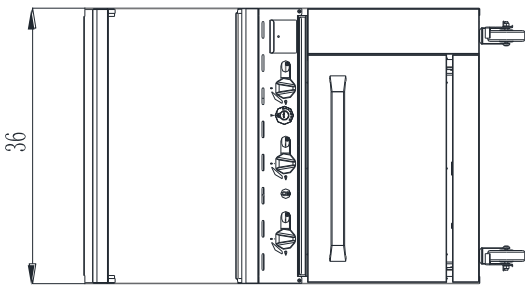
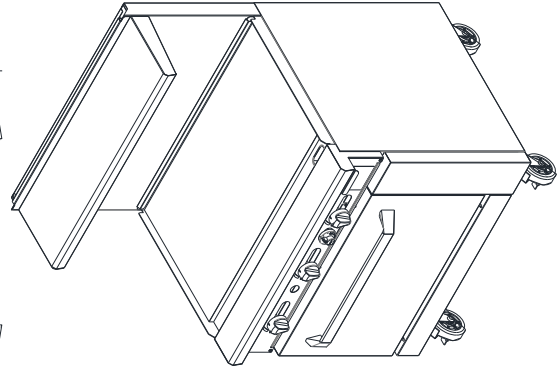
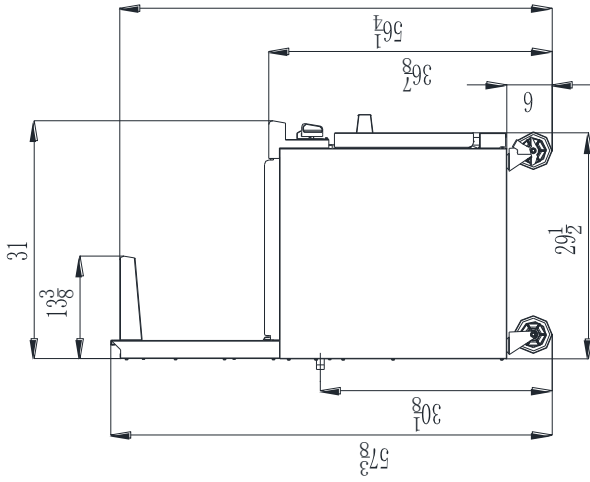
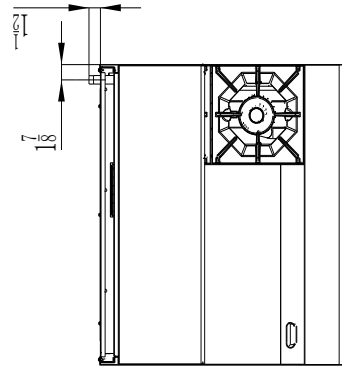
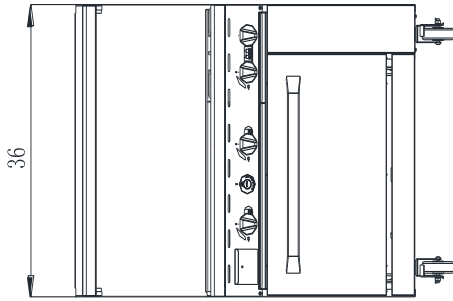
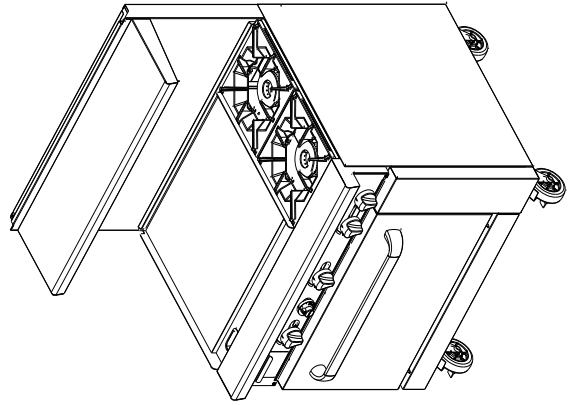
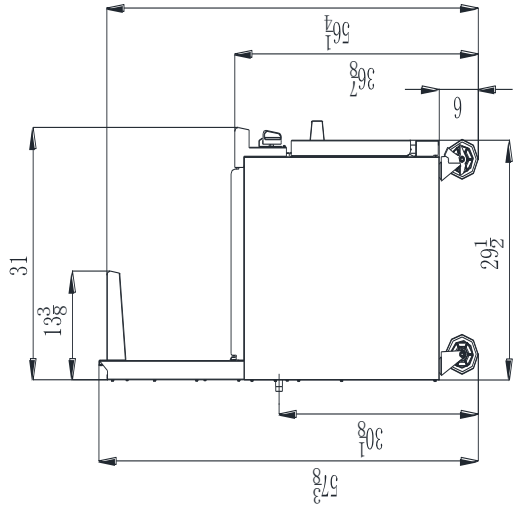
C-R06B

C-R04B-12GR



C-R04B-12GL

C-R02B-24GR



C-R02B-24GL

C-R0-36G

① Size and package parameter information

< Table 3 >

Model	Overall dimensions (IN) L x W x H	Packing size (IN) L x W x H	Oven dimensions (IN) L x W x H	Griddle working area (IN) L x W	Number of oven
C-R06B	36*31*57 $\frac{3}{8}$	*41 $\frac{3}{8}$	26 $\frac{1}{2}$ *26*14	none	1
C-R04B-12GR C-R04B-12GL				12*20 $\frac{5}{8}$	1
C-R02B-24GR C-R02B-24GL				24*20 $\frac{5}{8}$	1
C-R0-36G				36*20 $\frac{5}{8}$	1

② Information of Gas Supply and Burner

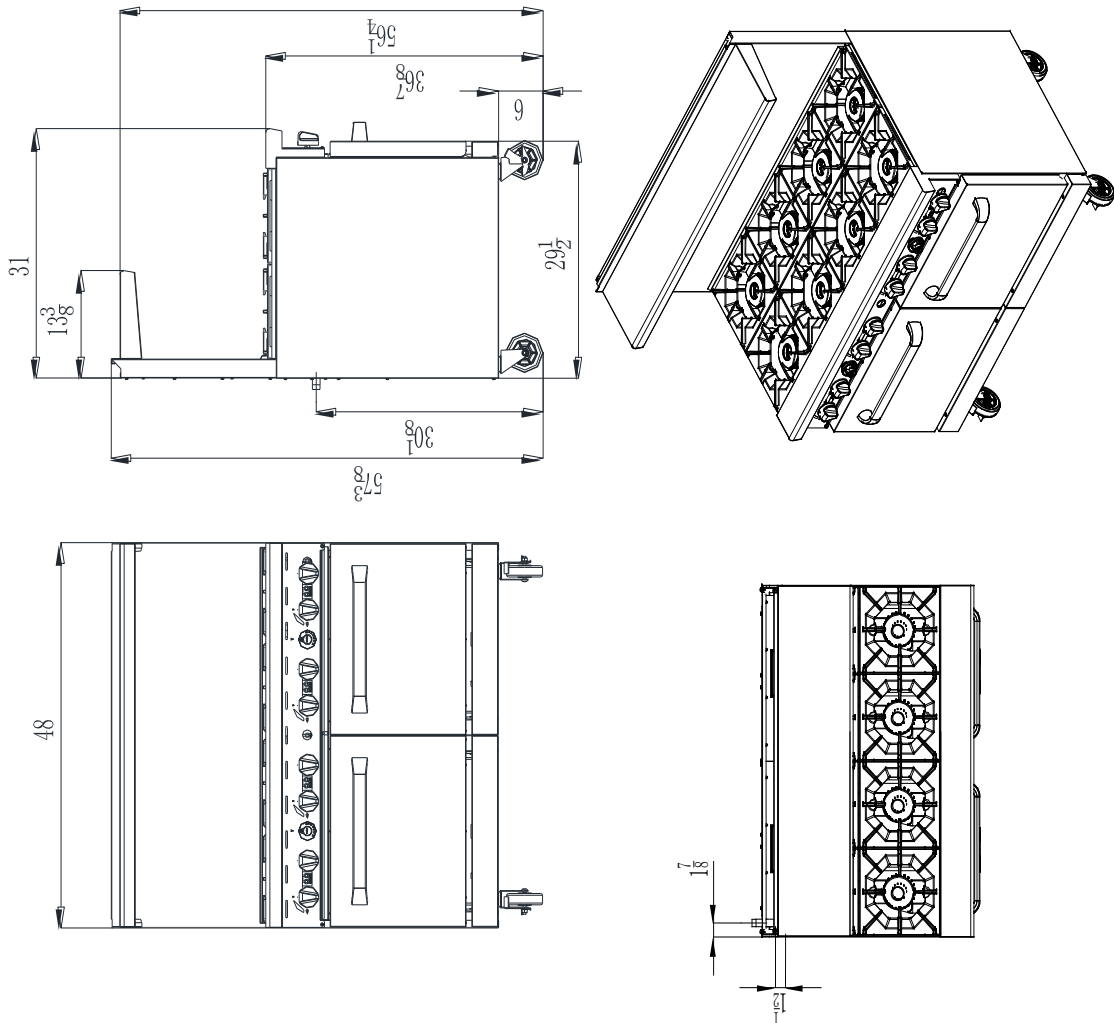
The minimum supplied gas pressure regulator is factory set at 5” Natural Gas W.C, and 10” L.P. Gas W.C. The external thread of product’ s intake-tube is 3/4 inches.

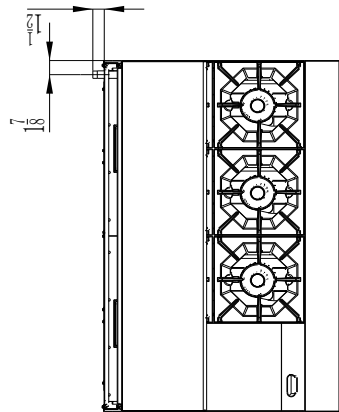
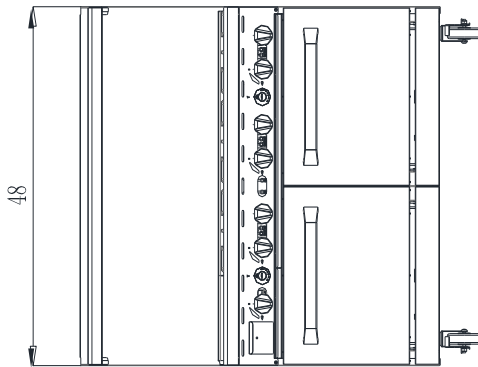
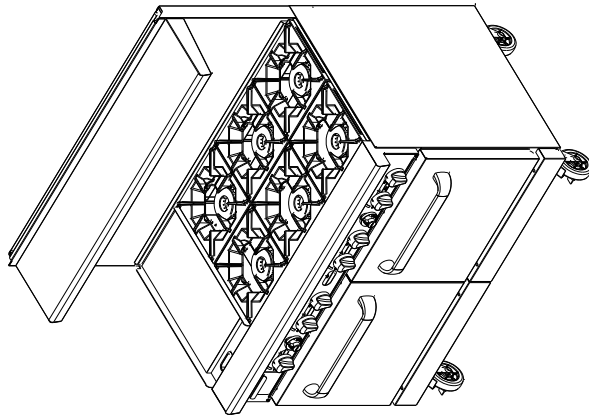
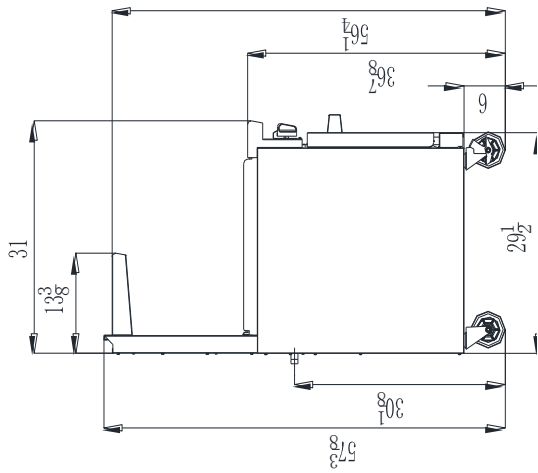
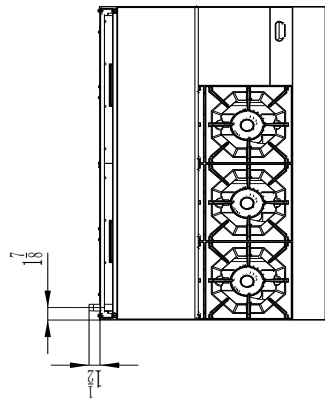
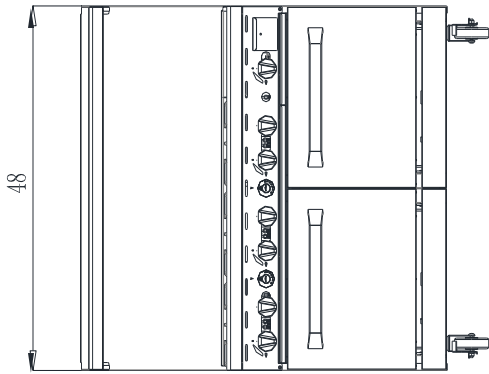
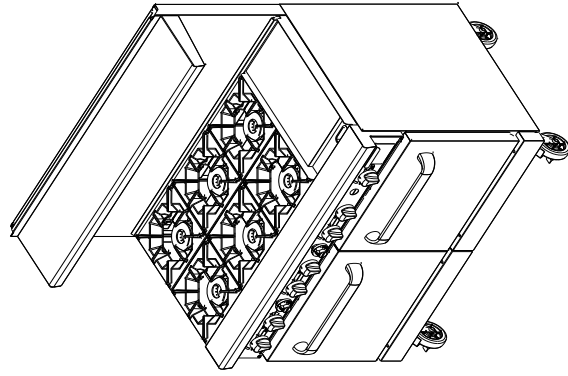
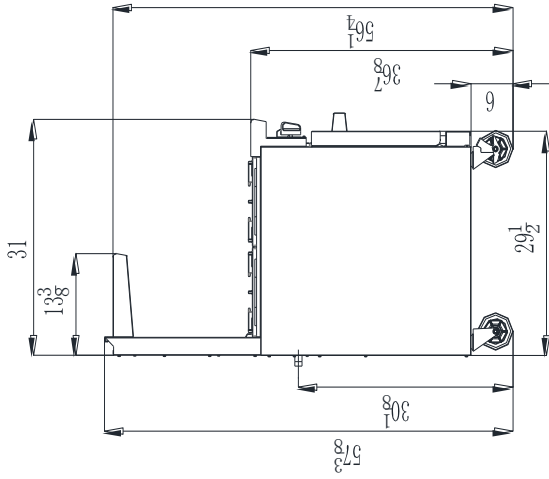
< Table 4 >

Model	Gas Species and Intake manifold pressure (in. W. C.)	Nozzle No. and Per BTU B. T. U/h				Number of burners			Total BTUB. T. U ./h			
		Hot plates	Griddle		Oven	Hot plates	Griddle			Oven		
			U-SHAPE	I-SHAPE			U-SHAPE	I-SHAPE				
C-R06B	Natural Gas 5	NG38	NG42	NG45	NG39	6			1			
		32,000	27,000	21000	27,000					219,000		
	Propane 10	LP51	LP52	LP54	LP52							1
		32,000	27,000	21000	27,000							

C-R04B-12GR C-R04B-12GL	Natural Gas 5	NG38	NG42	NG45	NG39	4	1	1	176,000
		32,000	27,000	21000	27,000				176,000
C-R02B-24GR C-R02B-24GL	Natural Gas 5	NG38	NG42	NG45	NG39	2	1	1	139,000
		32,000	27,000	21000	27,000				139,000
C-R0-36G	Natural Gas 5	NG45	NG42	NG45	NG39	2	1	1	102,000
		25,000	27,000	21000	27,000				102,000
	Propane 10	LP51	LP52	LP54	LP52				
		32,000	27,000	21000	27,000				
	Propane 10	LP54	LP52	LP54	LP52				
		23,000	27,000	21000	27,000				

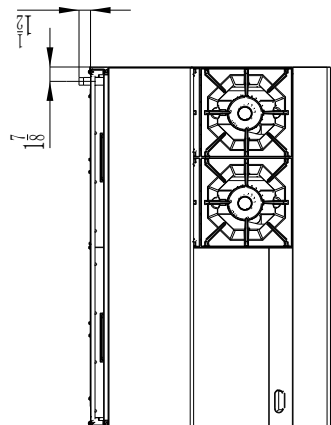
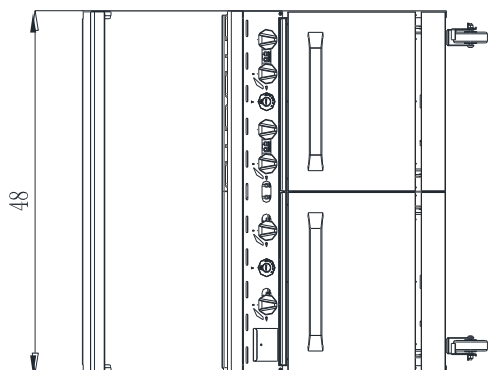
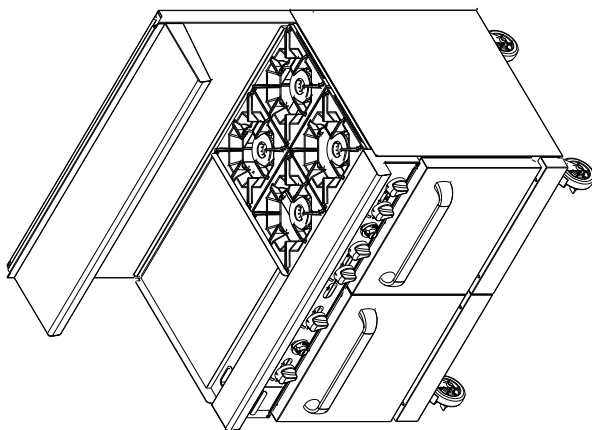
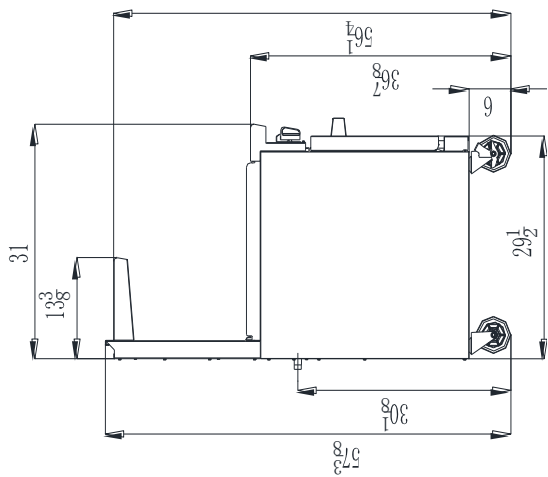
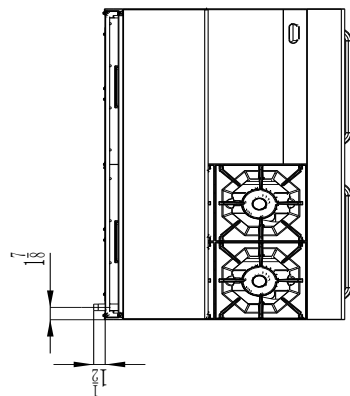
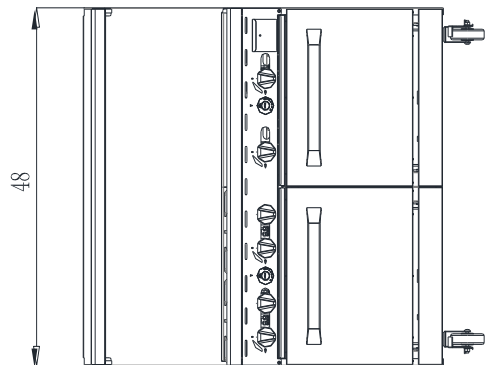
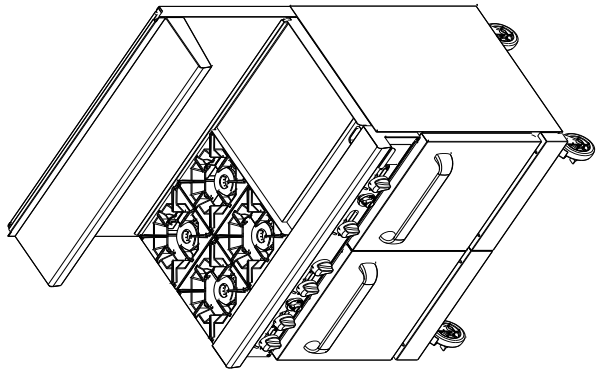
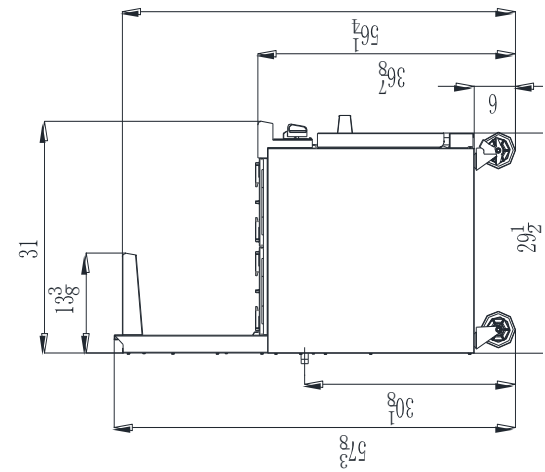
4.3、48 inch series:





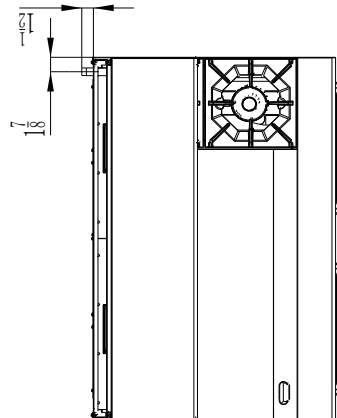
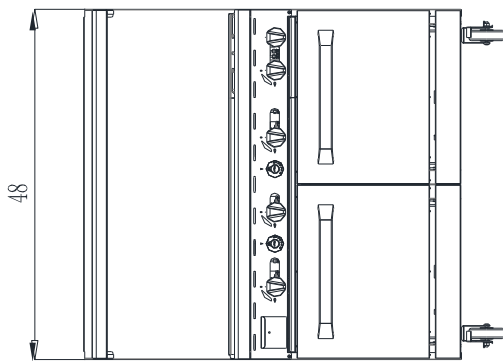
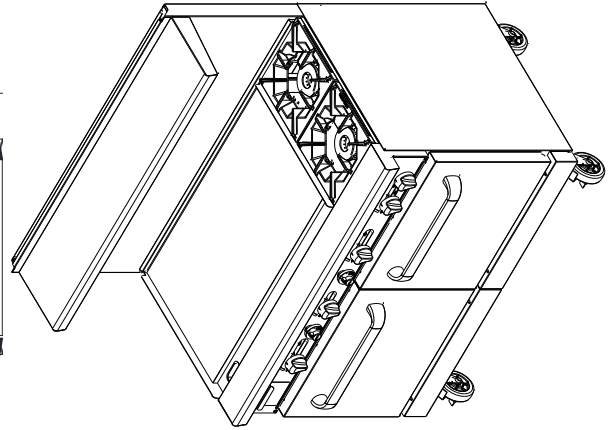
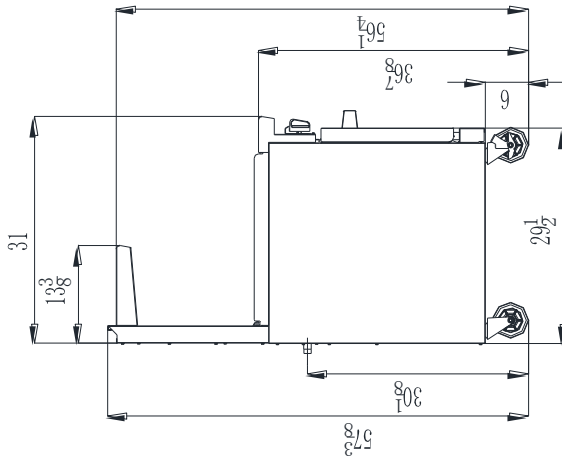
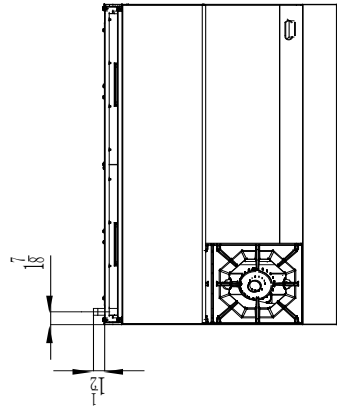
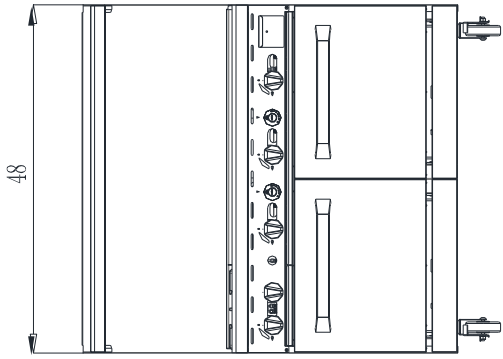
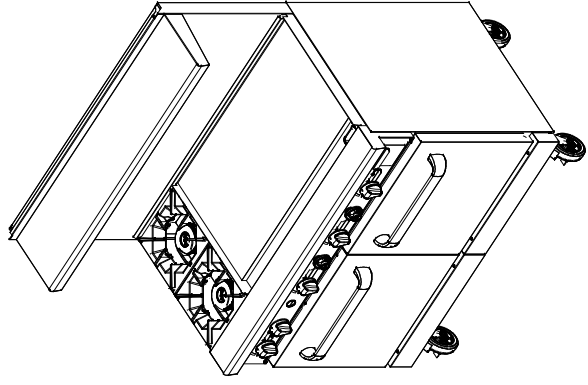
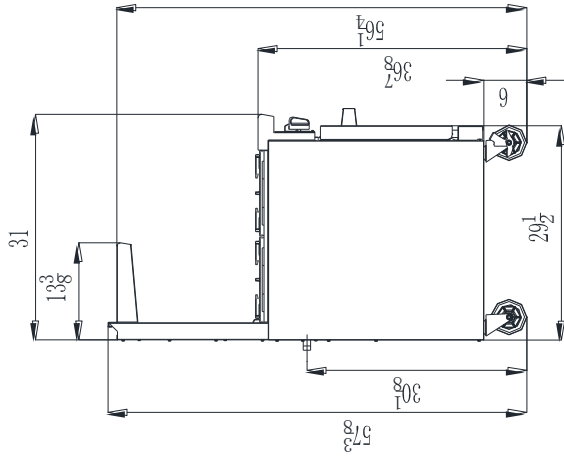
C-R06B-12GR

C-R06B-12GL



C-R04B-24GR

C-R04B-24GL



C-R02B-36GR

C-R02B-36GL

① Size and package parameter information
 <Table5>

Model	Overall dimensions (IN) L x W x H	Packing size (IN) L x W x H	Oven dimensions (IN) L x W x H	Griddle working area (IN) L x W	Number of oven
C-R08B	48*31*57 $\frac{3}{8}$	*41 $\frac{3}{8}$	20*26*14	none	2
C-R06B-12GR C-R06B-12GL				12*20 $\frac{5}{8}$	2
C-R04B-24GR C-R04B-24GL				24*20 $\frac{5}{8}$	2
C-R02B-36GR C-R02B-36GL				36*20 $\frac{5}{8}$	2

② Information of Gas Supply and Burner

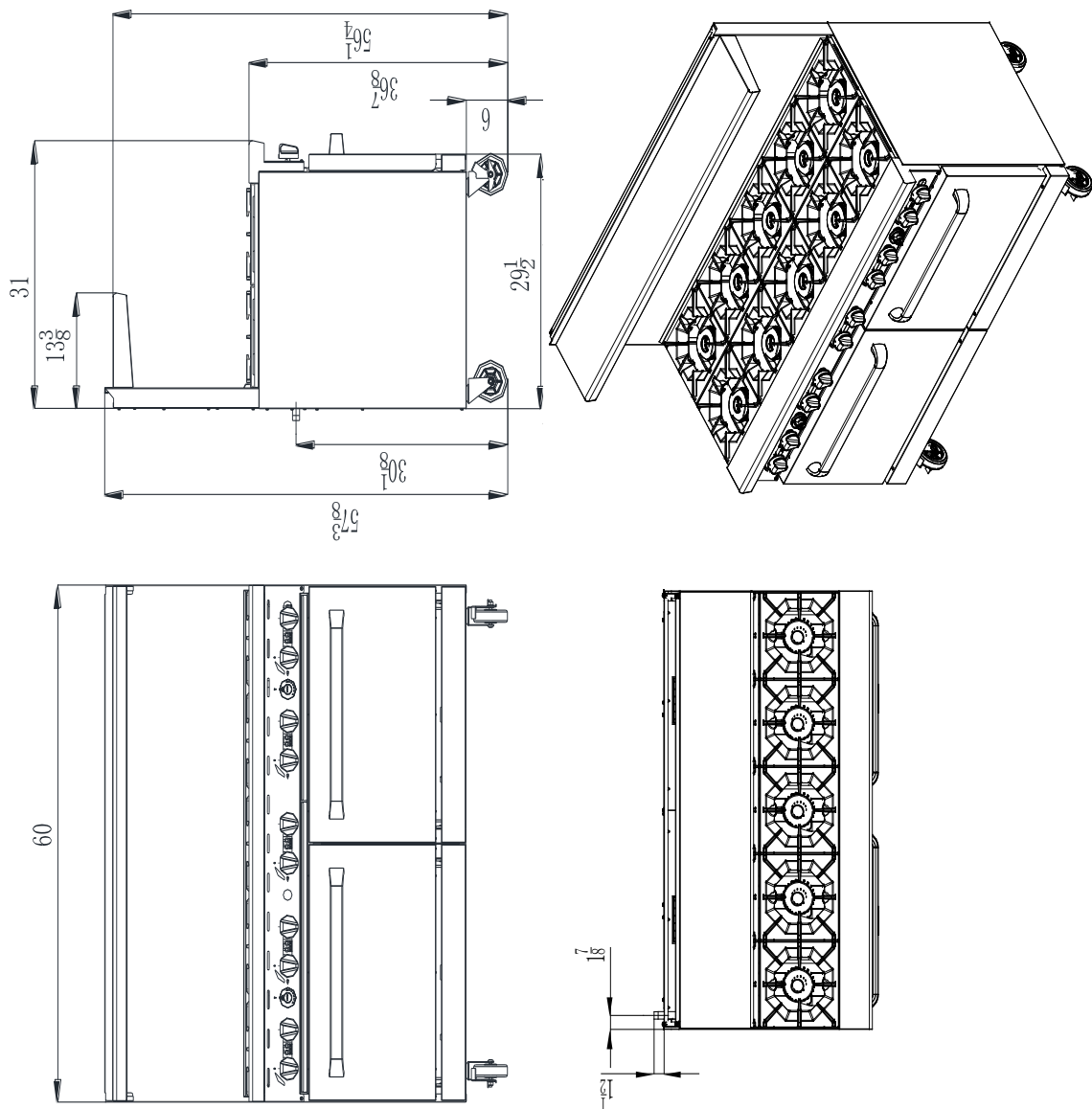
The minimum supplied gas pressure regulator is factory set at 5" Natural Gas W.C, and 10" L.P. Gas W.C. The external thread of product' s intake-tube is 3/4 inches.

<Table6>

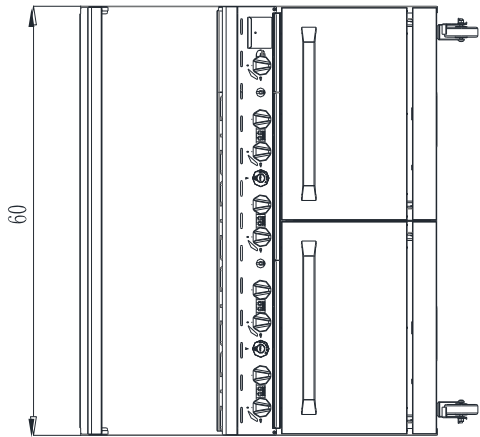
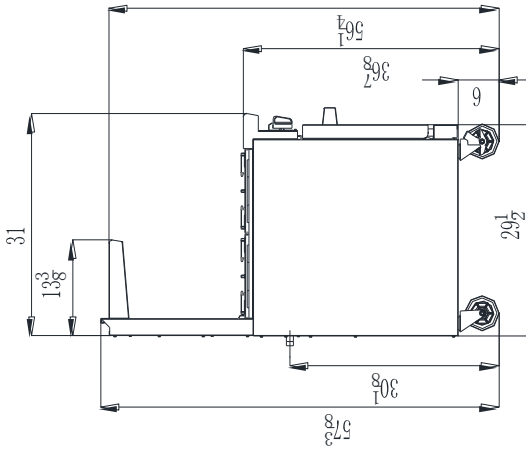
Model	Gas Species and Intake manifold pressure (in. W. C.)	Nozzle No. and Per BTU B. T. U/h				Number of burners			Total BTUB. T. U ./h
		Hot plates	Griddle		Oven	Hot plates	Griddle		
			U-SHAP E	I-SHAP E			U-SHAP E	I-SHAP E	
C-R08B	Natural Gas 5	NG38 32,000	NG42 27,000	NG45 21000	NG44 24,000	8		2	304,000
	Propane 10	LP51 32,000	LP52 27,000	LP54 21000	LP53 24,000				304,000
C-R06B-12GR C-R06B-12GL	Natural Gas 5	NG38 32,000	NG42 27,000	NG45 21000	NG44 24,000	6	1	2	261,000
	Propane 10	LP51 32,000	LP52 27,000	LP54 21000	LP53 24,000				261,000

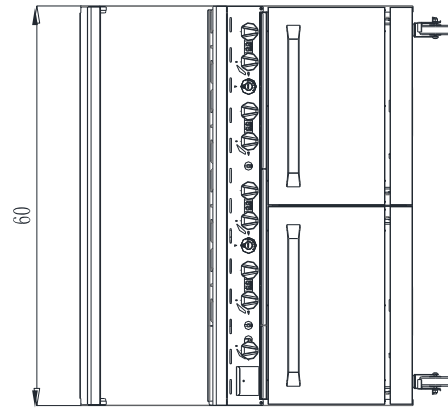
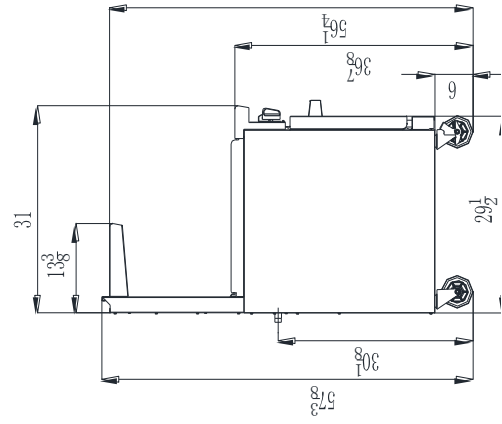
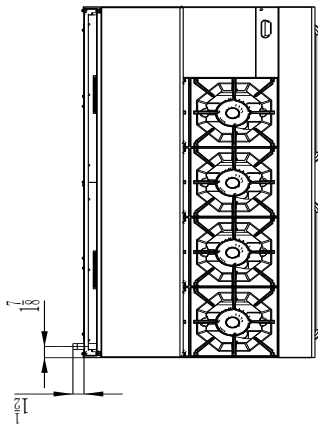
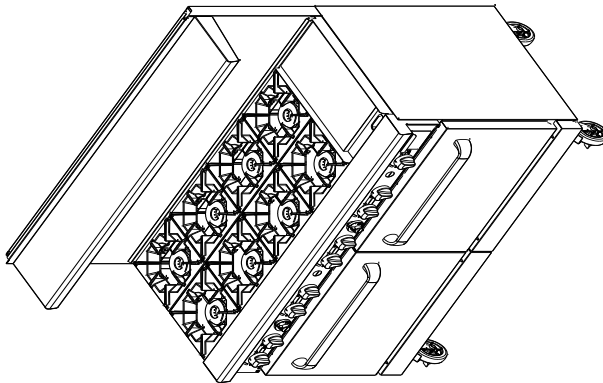
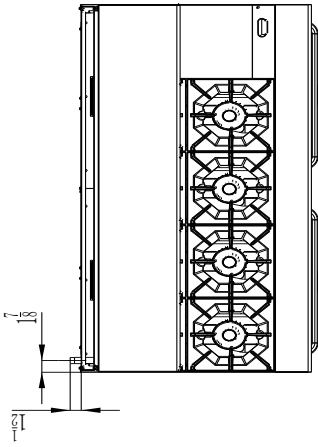
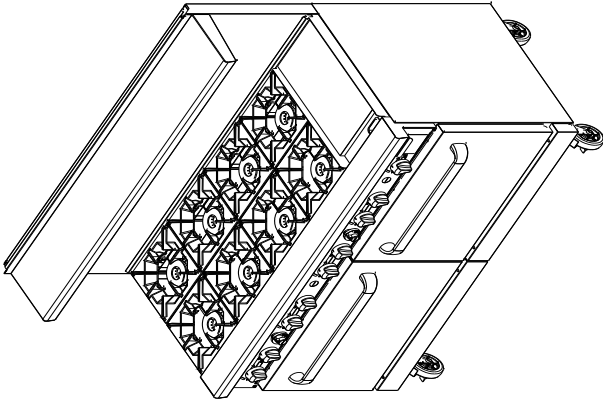
C-R04B-24GR C-R04B-24GL	Natural Gas 5	NG38 32,000	NG42 27,000	NG45 21000	NG44 24,000	4	1	1	2	224,000
	Propane 10	LP51 32,000	LP52 27,000	LP54 21000	LP53 24,000					224,000
C-R02B-36GR C-R02B-36GL	Natural Gas 5	NG38 32,000	NG42 27,000	NG45 21000	NG44 24,000	2	2	1	2	187,000
	Propane 10	LP51 32,000	LP52 27,000	LP54 21000	LP53 24,000					187,000

4.4, 60 inch series:



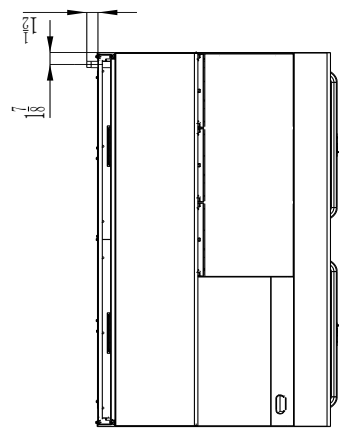
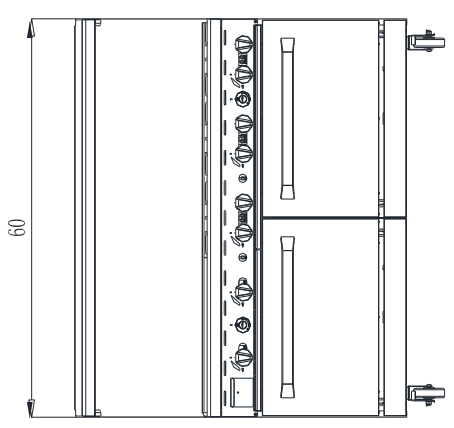
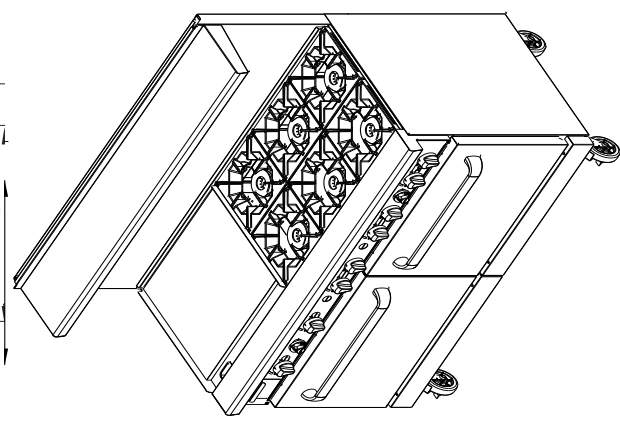
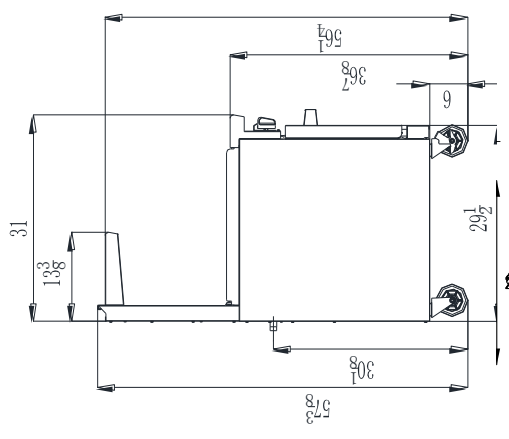
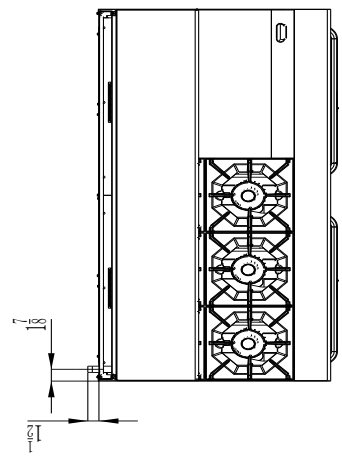
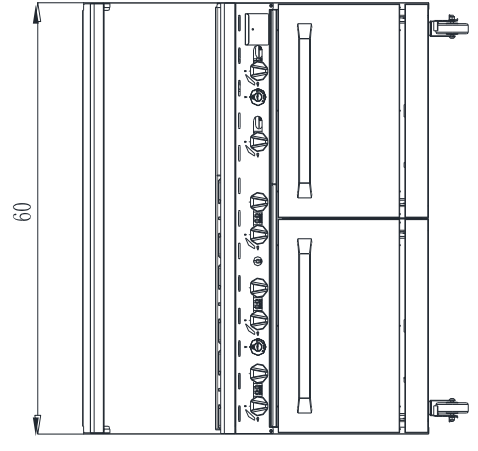
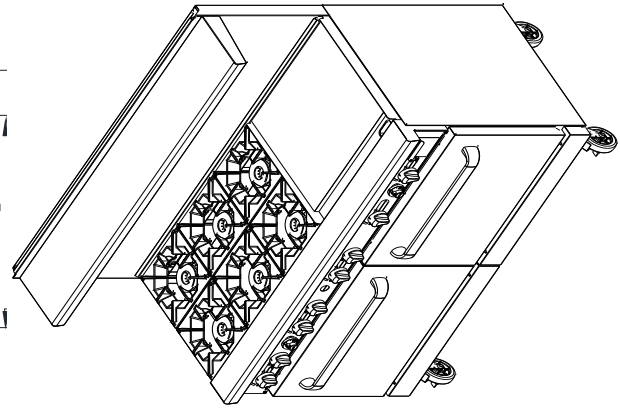
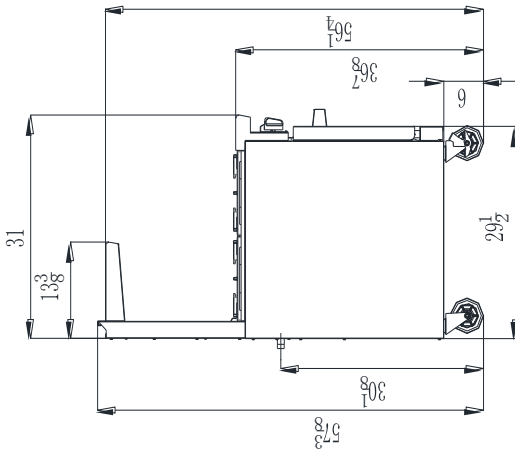
C-R010B





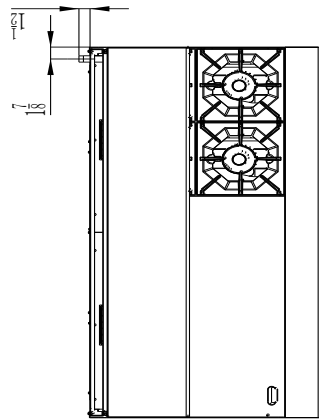
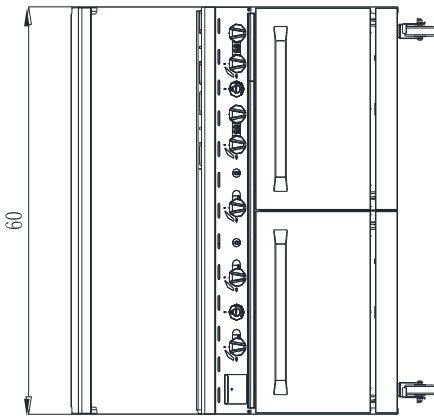
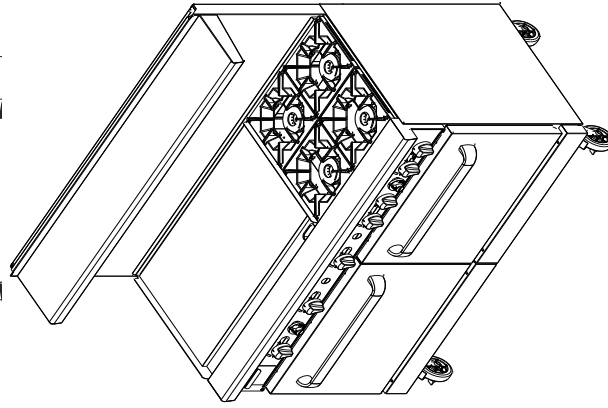
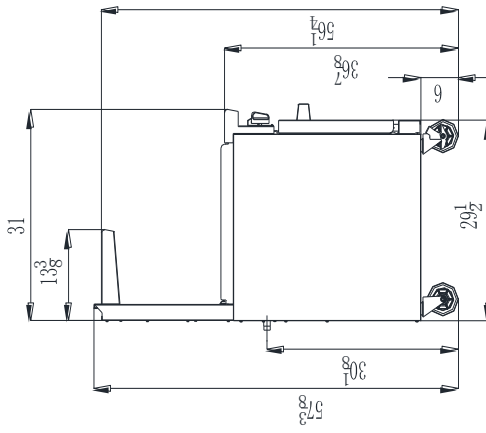
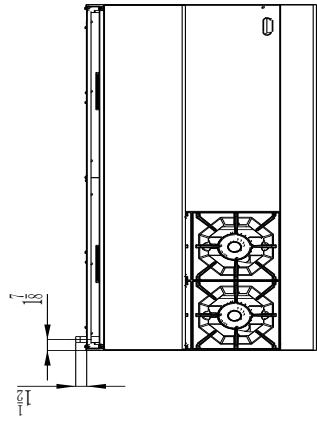
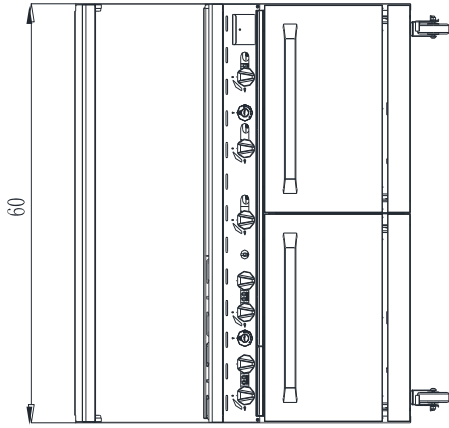
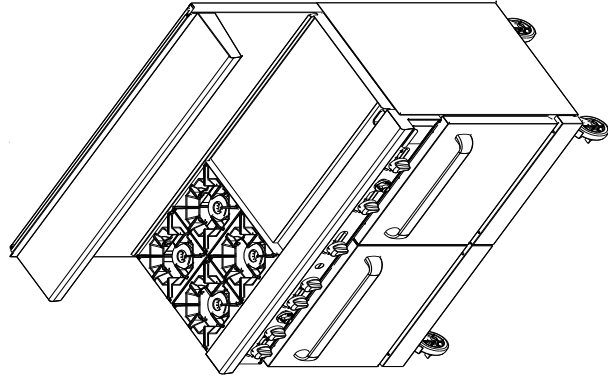
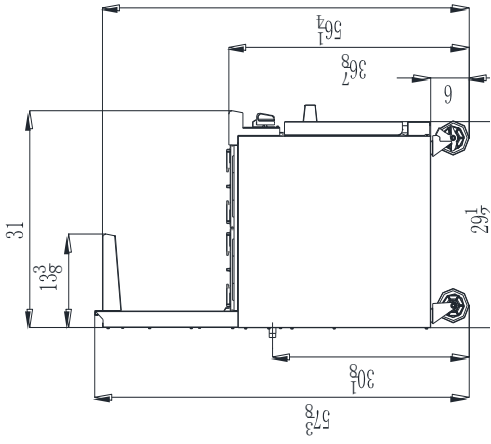
C-R08B-12GR

C-R08B-12GL



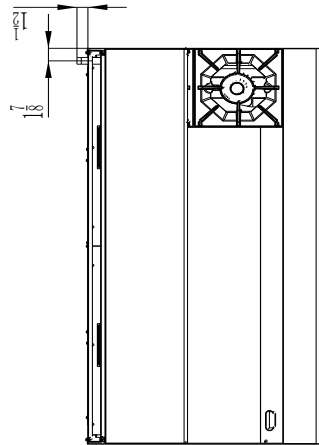
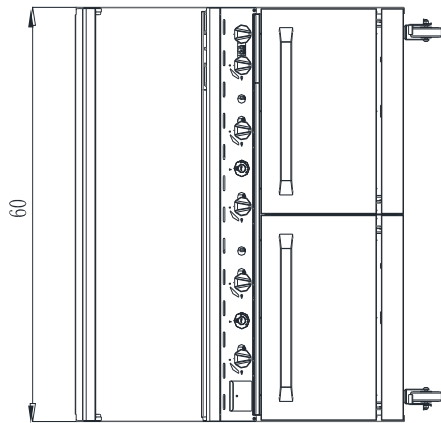
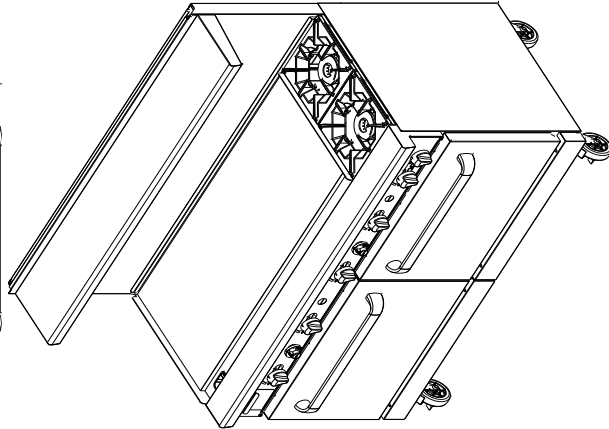
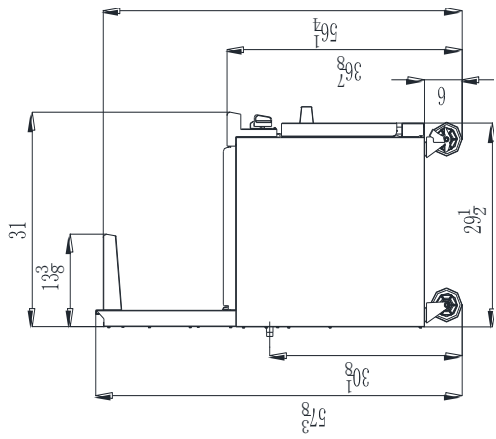
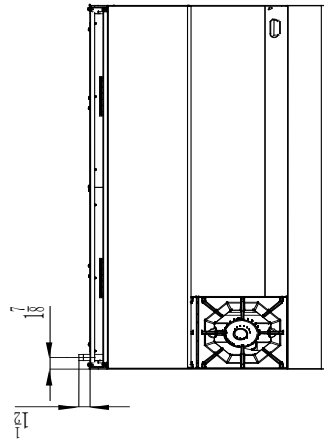
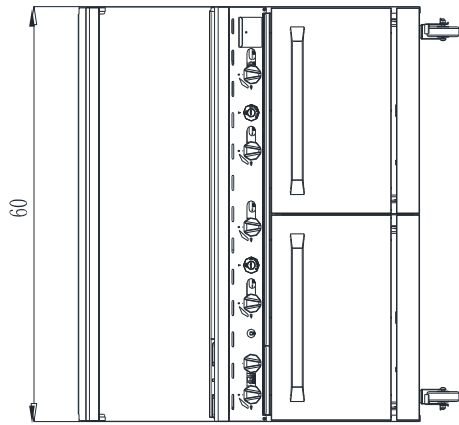
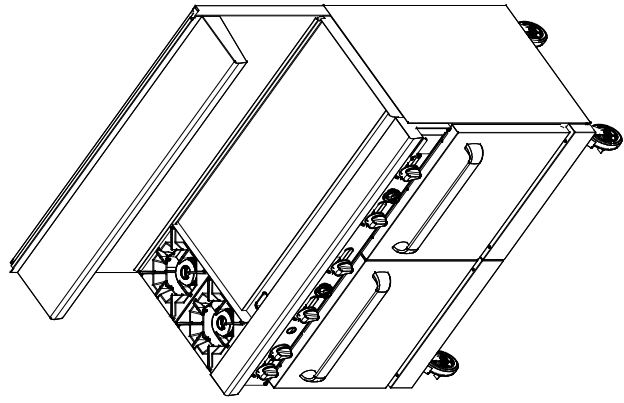
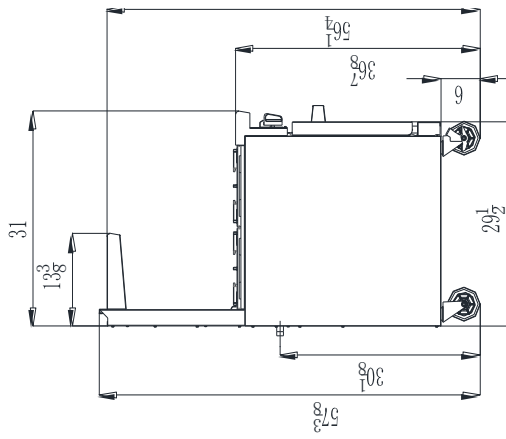
C-R06B-24GR

C-R06B-24GL



C-R04B-36GR

C-R04B-36GL



C-R02B-48GR

C-R02B-48GL

①: Size and package parameter information

<Table7>

Model	Overall dimensions (IN) L x W x H	Packing size (IN) L x W x H	Oven dimensions (IN) L x W x H	Griddle working area (IN) L x W	Number of oven
C-R010B	60*31*57 $\frac{3}{8}$	*41 $\frac{3}{8}$	26 $\frac{1}{2}$ *26*14	none	2
C-R08B-12GR C-R08B-12GL				12*20 $\frac{5}{8}$	2
C-R06B-24GR C-R06B-24GL				24*20 $\frac{5}{8}$	2
C-R04B-36GR C-R04B-36GL				36*20 $\frac{5}{8}$	2
C-R02B-48GR C-R02B-48GL				48*20 $\frac{5}{8}$	2

② Information of Gas Supply and Burner

The minimum supplied gas pressure regulator is factory set at 5” Natural Gas W.C, and 10” L.P. Gas W.C. The external thread of product’ s intake-tube is 3/4 inches.

<Table8>

Model	Gas Species and Intake manifold pressure (in. W. C.)	Nozzle No. and Per BTU B. T. U/h				Number of burners			Total BTUB. T. U ./h	
		Hot plates	Griddle		Oven	Hot plates	Griddle			Oven
			U-SHAP E	I-SHA PE			U-SHAP E	I-SHAP E		
C-R010B	Natural Gas 5	NG38	NG42	NG45	NG39	10			2	374,000
		32,000	27,000	21000	27,000					374,000
	Propane 10	LP51	LP52	LP54	LP52					374,000
		32,000	27,000	21000	27,000					
C-R08B-12GR C-R08B-12GL	Natural Gas 5	NG38	NG42	NG45	NG39	8		1	2	331,000
		32,000	27,000	21000	27,000					331,000
	Propane 10	LP51	LP52	LP54	LP52					331,000
		32,000	27,000	21000	27,000					
C-R06B-24GR C-R06B-24GL	Natural Gas 5	NG38	NG42	NG45	NG39	6	1	1	2	294,000
		32,000	27,000	21000	27,000					294,000
	Propane 10	LP51	LP52	LP54	LP52					294,000
		32,000	27,000	21000	27,000					
C-R04B-36GR C-R04B-36GL	Natural Gas 5	NG38	NG42	NG45	NG39	4	2	1	2	257,000
		32,000	27,000	21000	27,000					257,000
	Propane 10	LP51	LP52	LP54	LP52					257,000
		32,000	27,000	21000	27,000					
C-R02B-48GR C-R02B-48GL	Natural Gas 5	NG38	NG42	NG45	NG39	2	3	1	2	220,000
		32,000	27,000	21000	27,000					220,000
	Propane 10	LP51	LP52	LP54	LP52					220,000
		32,000	27,000	21000	27,000					

5. Transport and Storage

In the process of transportation, handle carefully and keep upright to prevent damage of the product packing. Wrapped equipment should not be in open air for a long time, and shall be placed in a well-ventilated and non-corrosive gases warehouse. When equipment needs temporary storage, rainproof measures should be taken.

6. Installation and Debugging

⚠ Any erroneous installation, adjustment, refit, overhaul or maintenance may cause property damage or personal injury. The work shall be performed by authorized and licensed technicians, otherwise the manufacturer has the right not to provide warranty service;

⚠ Only be installed in accordance with the local code. If no similar standard, you should conform to the National Fuel Gas Code, ANSI Z223.1/NFPA 54, the National Gas Installation Code, CSA-B149.1, or the L.P. Gas Installation Code, CSA-B149.2 as applicable;

⚠ The appliance individual shutoff valve must be disconnected from the gas supply piping system during any pressure testing of that system at test pressures in excess of 1/2psi (3.45kPa).

6.1、Unpacking and Installation

⚠ Please dispose of all packaging materials and residues after unpacking;

⚠ Check the equipment. If it is damaged, please keep wrappers and receipts which must be signed by the carrier representative (Driver), and contact the carriers to pursue a claim within 15 days after receiving;

⚠ Be sure to install supporting legs before using, and do not tear up any label or logo before normal using;

⚠ Please read these instructions carefully before installation and operation. Please contact your local agent if you have any questions;

⚠ Such stove shall be installed on the horizontal, solid, anti-skidding and incombustible floor, and at the water-proof working area with sufficient light and far away from the children and customers;

⚠ The installation position is a well-ventilated place in accordance with the local regulations;

⚠ The charbroiled must be installed under the matched cooking fume exhauster according to the local regulations;

⚠ **Important: Installation and ventilation laws, and codes are very different, you should state and comply with all codes of the National Fire Protection Association Inc when it comes to requirements for installation of equipment;**

⚠ Screw 4 adjustable stainless steel legs in the tapping hole with four corners of the charbroiled bottom, ensure sufficient space for ventilation;

⚠ Adjustable stainless steel legs to make the equipment level, and get the

same level with other series of the same stove; Please lift the equipment rather than drag if you need to move it;

⚠ Please refer to P16 “11. Schematic Diagram for Installation of Rear Panel” for the installation methods of rear panel.

⚠ Supplied gas pressure regulator is factory set at 5” Natural Gas W.C, and 10” L.P. Gas W.C;

⚠ The equipment can only be placed on the noncombustible floor, and keep a distance of at least 6 inches(152mm) to equipment’ s both sides and back, and keep a distance of at least 6 inches(152mm) to the bottom;

⚠ Do not put anything around the equipment, and on the counter top and bottom, in order to avoid influencing combustion and air circulation;

⚠ Leave enough distance in front of the equipment to take apart the control panel. All major parts, in addition to the burner remove from the front intake-tube;

⚠ It may be necessary to adjust the balance of air input by authorized and licensed technicians;

⚠ Thread glue must be resistant to the action of liquefied petroleum gases.

⚠ **Warning! Use soap water or testing instrument to test whether piping joint leaks or not before using, and forbid using an open flame to test!**

After installing completely, you should check gas supply pressure. Use a pressure gauge which is equipped with liquid (such as U-type pressure gauge, the minimum value is 0.1mbar) or a digital pressure gauge to test. Steps are as following:

● Remove top panel, and needle type pressure joint screw arbor (Fig. 1), then slip rubber tube of pressure gauge over needle type pressure joint;

● Start the equipment in accordance with the instructions, measuring gas supply pressure (dynamic pressure) in the work state;

● Access to the equipment if measured data within the limits of Table 1, otherwise, you will need to adjust gas pressure regulating valve or contact gas supplier to bargain;

● Unplug pressure gauge after you accomplish pressure testing, then install needle type pressure joint screw arbor. **Important: must screw**

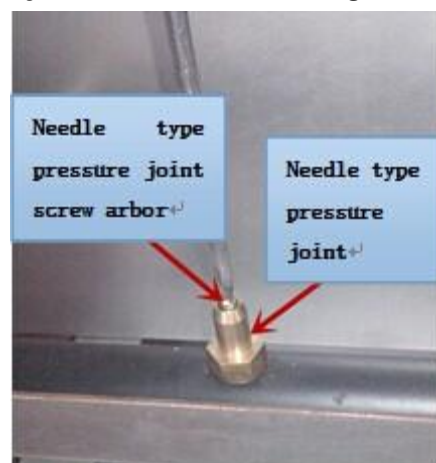


Figure 1

joint screw arbor, to prevent gas escape!

6.2 Debugging

It's very important to debug the new stove. Through the comprehensive system test of equipment, we can ensure function and safety performance of products. Discovering any potential problems before use (such as equipment's placement, ventilation, operation, etc), can avoid costly losses.

7. Safety Notices and Precautions

⚠ Warning! For your safety, do not place petrol and other flammables nearby. Please keep clean and free of flammables surroundings. (Read ANSI Z83.14B, 1991 for reference)

⚠ Warning! Any erroneous installation, adjustment and refit may cause property damage or personal injury and maintenance failure. Read the instructions carefully before installation and using.

⚠ Warning! Operation instruction must be placed in a conspicuous location. When customers smell gas in the process of using, should take safety precautions immediately. Immediately turn off the main gas valve, extinguish all heat and flames, and call 911. Safety information can be obtained from your local gas suppliers.

When using this equipment, safety precautions should always be followed, including the following:

⚠ The burner of gas restaurant ranges, stove frame, griddle and external surface will still be scalding after being used. You must take care when touching these positions;

⚠ Do not directly touch the burner, stove frame and griddle when the gas restaurant ranges and griddle are operating;

⚠ Turn off the equipment as repairing, maintaining and cleaning;

⚠ If the equipment has any problems of equipment damage, gas piping leaks, igniter or valves damage, or lose product accessories, do not operate, and call for the service immediately;

⚠ The use of attachments not recommended or sold by the manufacturer may cause fire, personal injury or even death;

⚠ Do not use out of doors;

⚠ Such appliance is used to cook, fry and bake the food and shall not be

used for other purposes;

⚠ The equipment does not contain any user-serviceable parts. Dealers or technicians will repair it. Do not take apart any spare parts without authorization;

⚠ Never change any other parts without authorization to this equipment, otherwise, may cause hazards, and the manufacturer has the right not to provide warranty service;

⚠ Steel cutting producers used to manufacture with sharp edges. The manufacturer has dealt with these sharp edges during production, however, we insist the operator take care when in contact with this piece of equipment;

⚠ Always keep hands, hair and clothing away from heating source.

⚠ Wait the unit cools down before cleaning. Because the unit is too hot to handle after using.

8. Operating Instructions

⚠ Before operating, make sure to place the unit horizontally by adjusting bottom adjustable legs, and place the catch tray properly.

⚠ The pilot light has been set at the factory. Each burner has a pilot light.

⚠ Make sure air circulation well at the bottom of equipment;

⚠ Do not use fan or air-conditioning blowing at the flame, in order to avoid extinguishing flame and cause safety accidents;

⚠ Install the matched cooking fume exhauster according to the local regulations of char broiler;


⚠ Make sure to keep the natural air circulation in the kitchen.

8.1 Lighting the pilot light

Turn the control valve at the position of “0” (Fig.2), make sure all knobs are in the close state. Light and hold an ignition source at the pilots. The pilot light may not be lighted immediately, for existing gas in the pipe. Wait a minute, the pilot light will be lighted after the gas extinguished.

Tips: You can use a screwdriver to adjust the height of the flame (Fig.3).

8.2 Igniting the main burner

Revolve the main fire control valve knob anticlockwise after lighting the pilot light, then the main fire burner is lighted by the pilot light. The power of burner increases as revolving angel increases. When knob reaches to "  ", burner is in the maximum power (Fig.4).

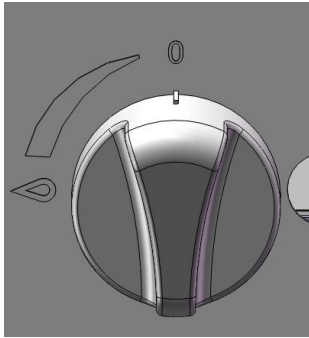


Figure 2



Figure 3

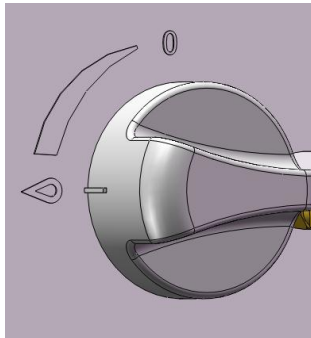


Figure 4



Figure 5

8.3 Lighting of normally open fire of stove

1. Align the OFF indicative line of thermostat valve knob to the arrow (Figure 5) to close the valve.
2. Open the underside face plate of oven (figure 6), thoroughly press the button at the front end of safety valve, and ignite the pilot fire by lighter with another hand simultaneously (figure 7 and figure 8). Do not loosen the button immediately after the pilot gas is ignited. Down-press it for 10 - 15 seconds. Then, loosen the button to observe whether the pilot fire is stable.
3. If the pilot fire is not ignited, please repeat the procedure above until the pilot fire is ignited.

Tip 1: The pilot light may not be lighted immediately, for existing gas in the pipe. Wait a minute, the pilot light will be lighted after the gas extinguished.

Prompt 2: Turn on and off the normally open fire of oven with slot type screwdriver (figure 3).



Figure 6

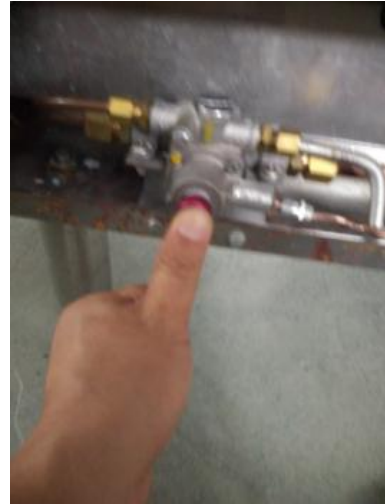


Figure 7



Figure 8

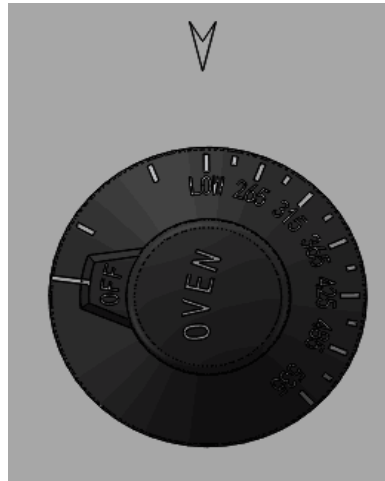


Figure 9



Figure 10

8.4 Ignition of main fire of oven

After the normally fire was ignited, the main fire valve of safety valve was opened, and press the thermostat valve knob to rotate to the position LOW counterclockwise (figure 9). At this moment, the oven burner is ignited. Rotate the thermostat valve knob counterclockwise continuously to the required temperature (figure 10) and the oven starts warming. When reaching the set temperature, the thermostat valve will automatically adjust the gas flow to keep the temperature in the oven constant.

8.5 Turn off the valve

Revolve the control valve knob clockwise to "0" (Fig.2, Fig.5), so that extinguish flame of the main burner, but the pilot light still works.

After turn off the equipment, the main fire should be stop more than 5 minutes before next use.

8.6 Stove Operation

Before using the stove for the first time, please use a mild detergent to wipe it clean. Do not use corrosive or abrasives detergent.

Turn the burners on about 15–20 minutes before broiling for preheating, according to the cooking requirement to adjust the flame size.

Notice: When first preheating, the furnace will smoke above. This is caused by protective lipids on the grates and other parts are heated, it is normal, and it will be eliminated after the power up to the maximum for burning an hour.

8.7 Adjust air input

① **Hot plates:** Remove control panel, unscrew damper solid screw(Fig.11), revolve damper left to right(Fig.12), meanwhile, observe flame, to adjust an appropriate opening degree. Then screw damper solid screw, make sure the equipment will not get loose in the process of moving and translation. Reinstall control panel.

② **Griddle:** Remove control panel, unscrew damper solid screw(Fig.13), revolve damper left to right(Fig.14), meanwhile, observe flame, to adjust an appropriate opening degree. Then screw damper solid screw, make sure the equipment will not get loose in the process of moving and translation. Reinstall control panel.

③: **Oven:** Open the underside face plate of oven (figure 6), loosen the fastening screws of damper(figure 15) and rotate the damper horizontally (figure 16).

Meanwhile, observe the flame. Adjust the damper to the appropriate opening

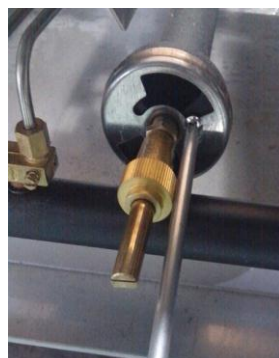


Figure11



Figure12



Figure13

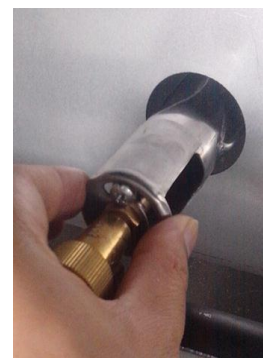


Figure14



Figure15



Figure16

Figure15

Figure15

angle. Then, tighten the fastening screw bolt of damper to guarantee the appliance does not get loose. At last, reinstall the underside face plate of oven.

④Caution: Each burner damper has been adjusted before delivery (once air input), Normal use without adjustment but only switching gas. Adjust only by authorized and licensed technicians.

9. Cleaning and Maintenance

⚠ Do not use any abrasive or flammable detergent to wipe;

⚠ Do not hose down, immerse or pressure wash any part of the cooker, excluding the catch tray;

⚠ Do not use abrasive cleaning matters to wash, even not use corrosive detergent!

⚠ Grill cleaning/maintenance:

- (1) when grill cools down, use a cloth with cleaning agent to wipe unit surface and residue;
- (2) use a cloth with water to wipe unit surface;
- (3) burning the main fire burner about 10-20 minutes for sterilization;
- (4) no use for long time, spread cooking oil on grill after cleaning.

⚠ Warning: Before cleaning, all control valves must be turned off. Strictly follow the lighting instructions to work again after cleaning!

⚠ Warning: Wait for the equipment to cool down after the unit has been turned off before you clean!

⚠ Cut off the gas source when not in use;

⚠ If the equipment is not used for a long time, clean the surface by wiping it with a soft cloth and place it in a well-ventilated area;

⚠ Comprehensively check the equipment at least once every year by authorized and licensed technicians;

⚠ The product is made of 90% metals, and can not be discarded everywhere. Deal with it in accordance with the local codes.

⚠ Instructions to clean appliance regularly with recommended cleaning agents, if necessary.

Recommended cleaning methods

<Table9>

Items	Methods	Times
Body	Wipe it with a soft cloth and mild detergent;	daily
Control panel	Turn off valves when not in use; Wipe panel and control valve knob with mild detergent.	daily
Catch tray	Pull out catch tray from front body until the equipment cools down. Use a cloth with cleaning agent to wipe unit surface, wipe up residue. Reinstall after cleaning. Warning: if the catch tray is permitted to fill too high, should be cleaned!	Per use
Oven	After the appliance is cooled, open the oven door to take out the net rack, and use the clean duster cloth to dip detergent to clean the grease and other rubbish debris. After cleaning up, reinstall the net rack to the original position. Take care when taking out the net rack and cleaning the internal part of stove, for fear to damage the enamel coating of oven inner wall.	Per use

10. Troubleshooting

<Table 10>

Problems	Possible causes	Problem solving
Not lighting	1. Insufficient gas pressure in pipe	1. Contact the local gas supply dept.
	2. Nozzle occlusion	2. Dredge nozzle
Ignite the pilot light but not the main fire	1. Insufficient gas pressure in pipe	1. Contact the local gas supply dept.
	2. The main fire nozzle occlusion	2. Dredge nozzle
	3. Gas control valves have problems	3. Change gas control valves
	4. The pilot light and the main fire's distance is too far	4. Adjust the distance of them
	5. Flame is too low	5. Adjust the height of the pilot light
Close gas and heard a sound of fire	1. Insufficient gas pressure in pipe	1. Contact the local gas supply dept.
	2. Not match nozzle aperture with gas resources	2. Adjust nozzle diameter
	3. Flow of connection pipe is not enough	3. Increase pipe's allowable flow
	4. Damper opening degree is too large	4. Adjust damper
Yellow flame and black smoke	1. Use bottom gas	1. Change gas
	2. Not match nozzle aperture with gas resources	2. Adjust nozzle diameter
	3. Not enough air to ignite	3. Increase damper opening degree
	4. In the peak of using gas, sources of gas float heavy	4. Turn down valves flow. Turn it up after the peak

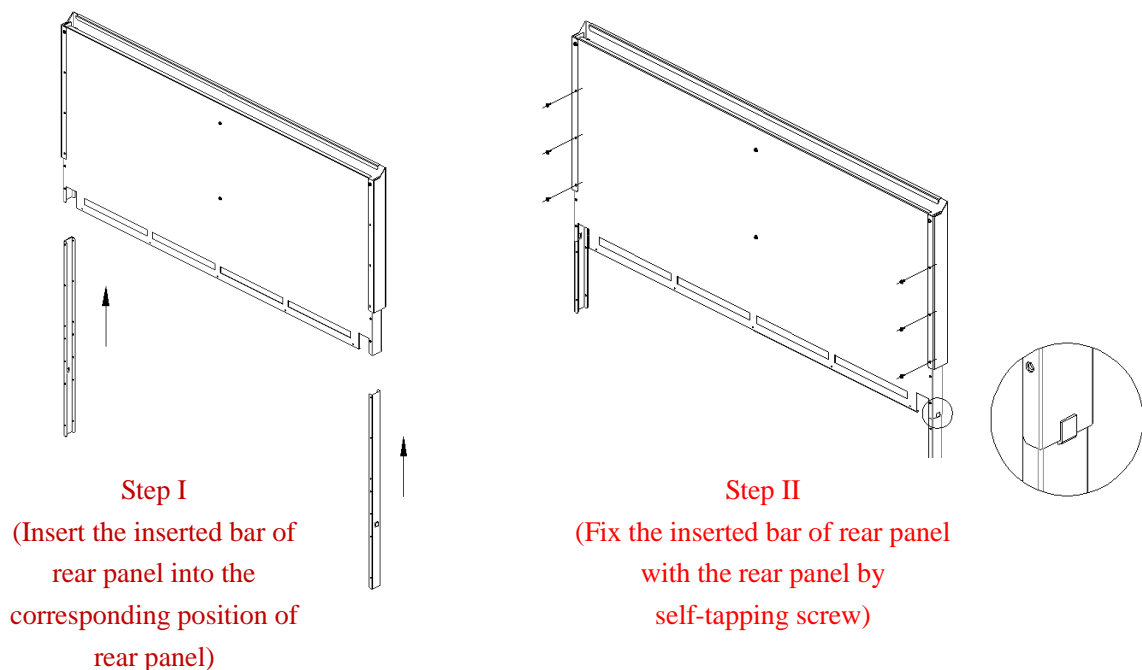
The problems mentioned above are only for reference. If any fault occurs, please stop using, and contact technicians to check and repair. Safety first, turn off the power and gas supply before maintenance.

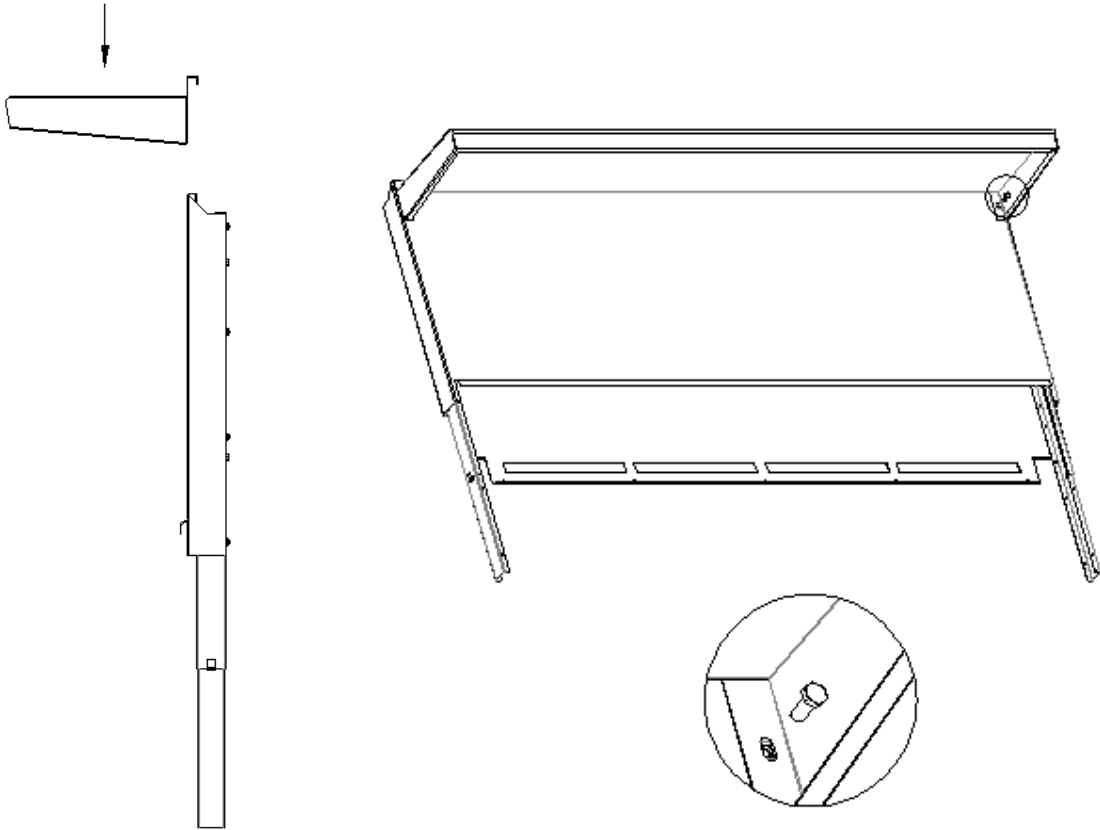
Note

- 1、 Pressure maintaining valve connects with air intake, must be installed by authorized and licensed technicians, to ensure interface tightness.
- 2、 The pressure regulator(s) have connected, the maximum load of natural gas cannot exceed 6” , and of LP cannot exceed 12” .
- 3、 Adjustment range of the pressure regulator(s) is 3” -6” for natural gas, and 5” -12” for L. P. .



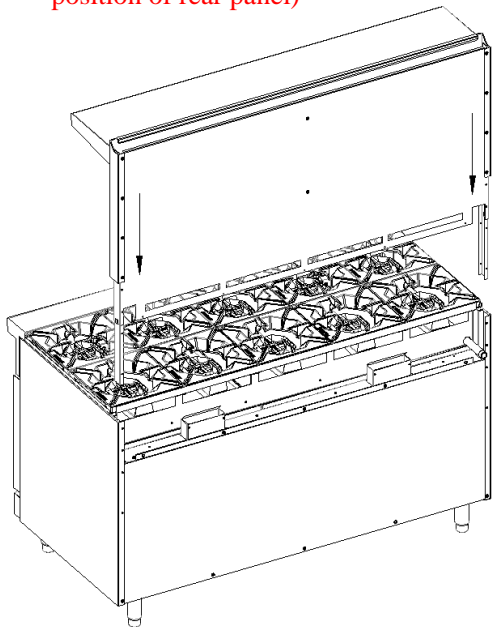
11. Schematic diagram for installation of back panel



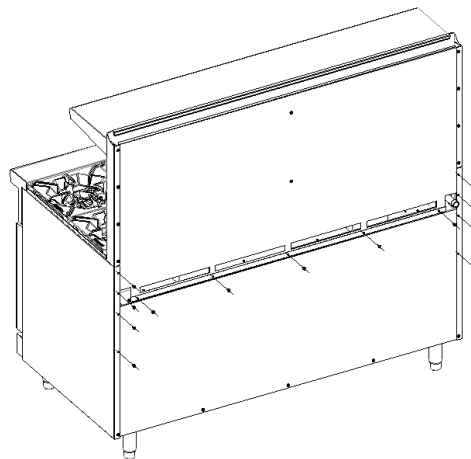


Step III
 (Fasten the rear top plate
 at the corresponding
 position of rear panel)

Step IV
 (Fix the rear top plate with
 rear panel by hexagon
 bolt)



Step V
 (Insert the assembled rear
 top plate into the
 corresponding position of
 stove body)



Step VI
 (Fix the assembled rear
 panel with the stove body
 by self-tapping screw)

R10001001085

304080719

version number 20250107

