

037179
WWB10G Unit

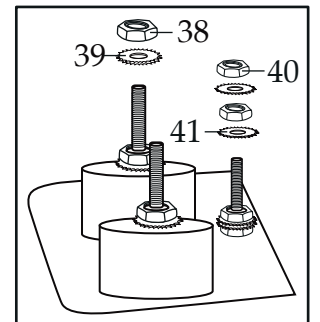
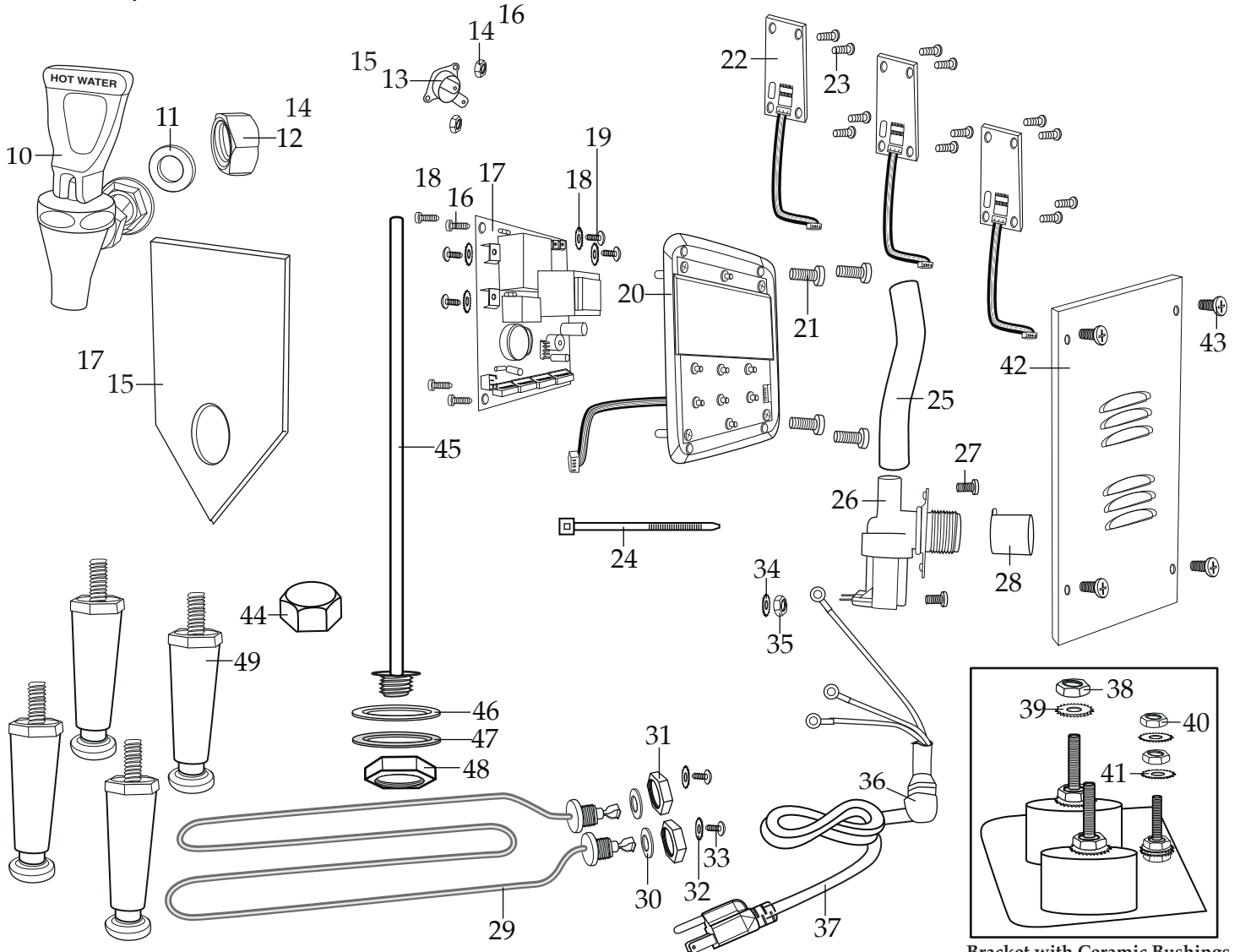
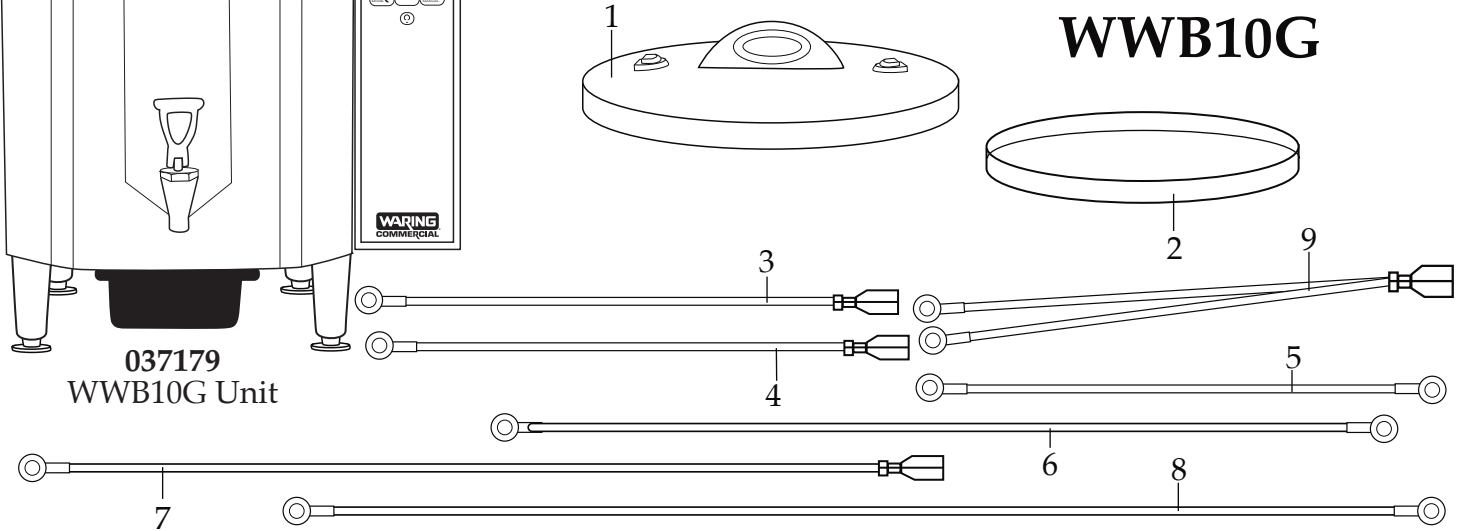
Unit Information

15 Amps - 1800 Watts - 120 Volts
 Temperature range from 150°F - 205°F
 (66°C - 96°C)
 View temperature in Fahrenheit or Celsius
 Legs are adjustable.



10 Gallon Hot Water Dispenser

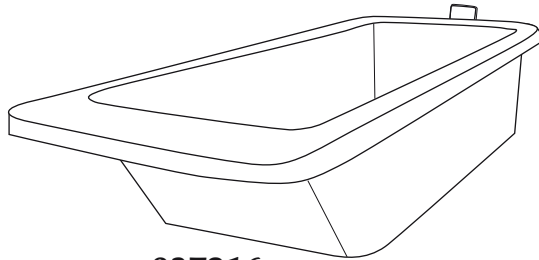
WWB10G



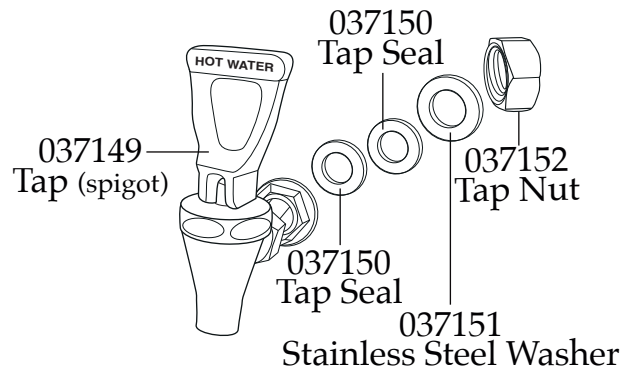
Bracket with Ceramic Bushings

Illustration#	Part#	Description
1	037140	Lid
2	037141	Lid Seal (on unit)
3	037142	8.75" Burgundy Lead (round and regular terminal)
4	037142	8.75" Burgundy Lead (round and regular terminal)
5	037143	8.75" Green/Yellow Lead (2 round terminals)
6	037144	12.5" Burgundy Lead (2 round terminals)
7	037145	12.5 Red Lead (round and regular terminal)
8	037146	16.5" Blue Lead (2 round terminals)
9	037147	8.625" Blue Double Lead (2 round and regular terminal)
10	037149	Tap (spigot)
11	037150	Tap Seal
12	037152	Tap Nut
13	037153	Thermal Cut Off
14	037154	Hex Nut (2 required)
15	037155	Face Guard
16	037156	Screw (4 required)
17	037157	PCB Assembly
18	037158	Lock Washer (4 required)
19	037159	Sems (4 required)
20	037160	Control Board Assembly
21	037161	Screw (4 required)
22	037162	Water Level Sensor (3 required)
23	037163	Screw (4 required for each sensor)
24	013731	Wire Ties (4 required)
25	037164	Valve Tube
26	037165	Solenoid Valve
27	037166	Screw (2 required)
28	037167	Valve Cover
29	037168	Heating Element
30	037169	Element Seal (2 required)
31	037170	Element Hex Nut (2 required)
32	037158	Lock Washer (2 required)
33	037159	Sems (2 required)
34	037158	Ground Lock Washer (attached to unit)
35	037171	Ground Hex Nut (attached to unit)
36	037172	Strain Relief
37	037173	Cord Set
38	037174	Hex Nut (1 on each ceramic bushing)

Illustration#	Part#	Description
39	037175	Lock Washer (1 on each ceramic bushing)
40	037171	Ground Hex Nut (2 required ceramic bushing)
41	037158	Ground Lock Washer (2 required ceramic bushing)
42	037176	Side Panel
43	037177	Screw (4 required)
44	038238	Drain Cap
45	038239	Over Flow Pipe
46	038240	Sealing Gasket
47	038237	Gasket
48	038241	Over Flow Pipe Nut
49	037178	Leg (4 required)



037216
Drip Tray



First Units Built



Date Code Location
WWYY
(week week year year)

