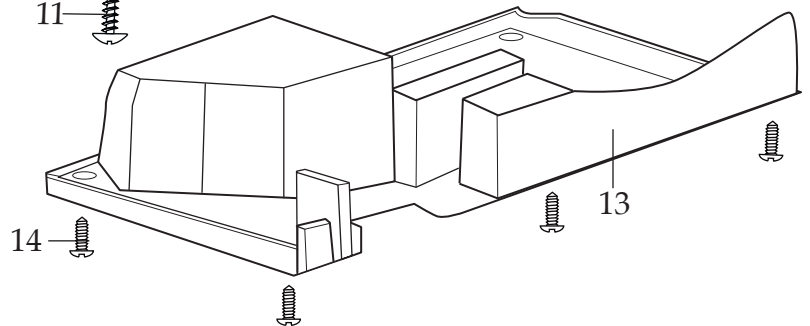
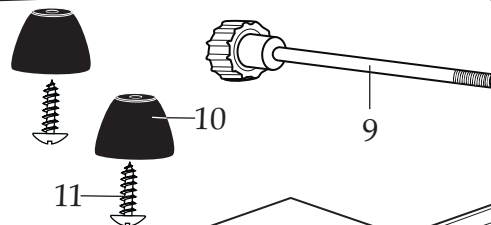
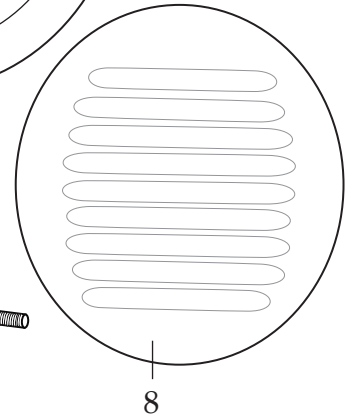
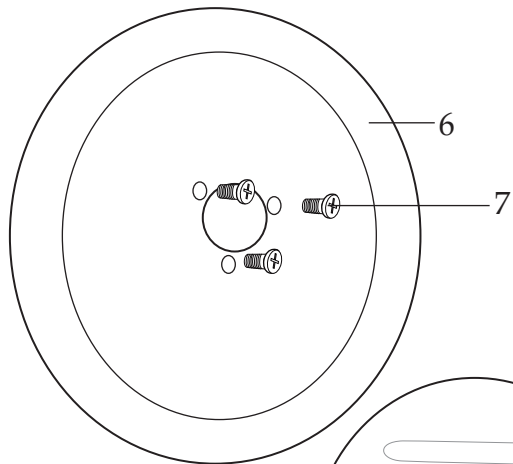
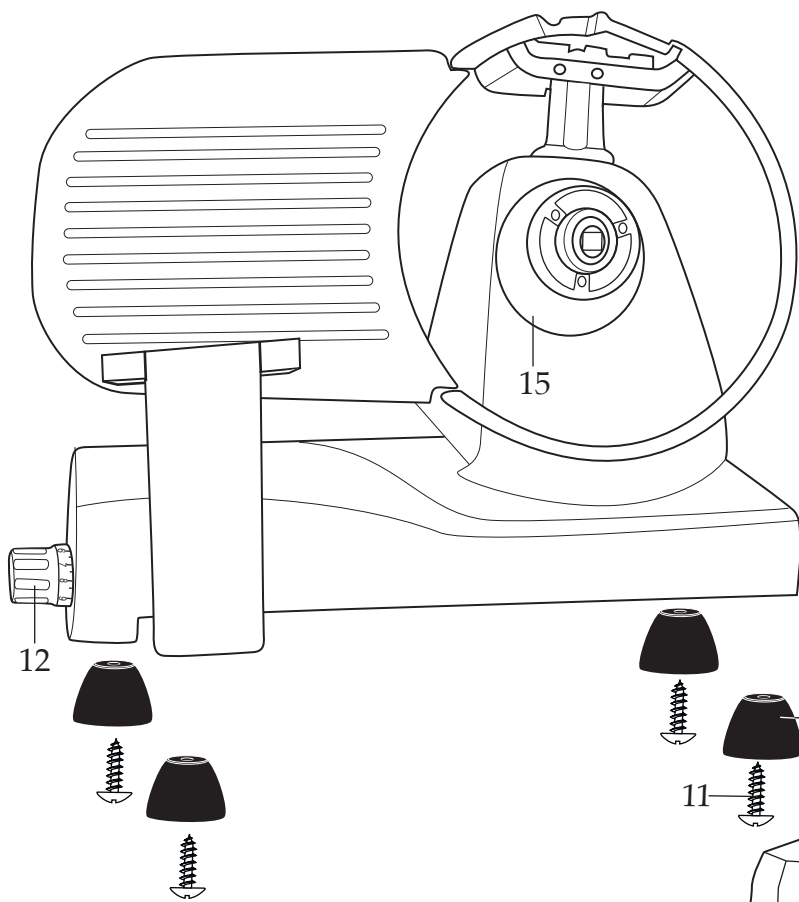
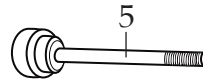
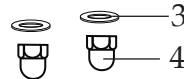
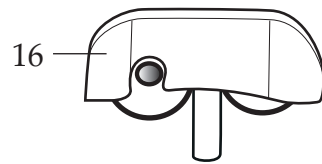
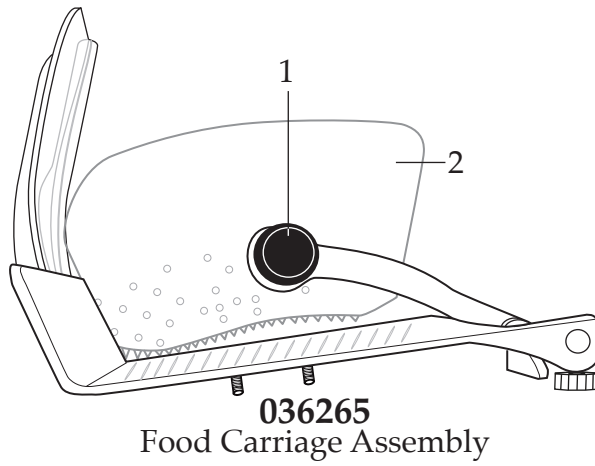


**WARING**  
**COMMERCIAL**

8.5" Blade Food Slicer  
**WCS220SV** silver

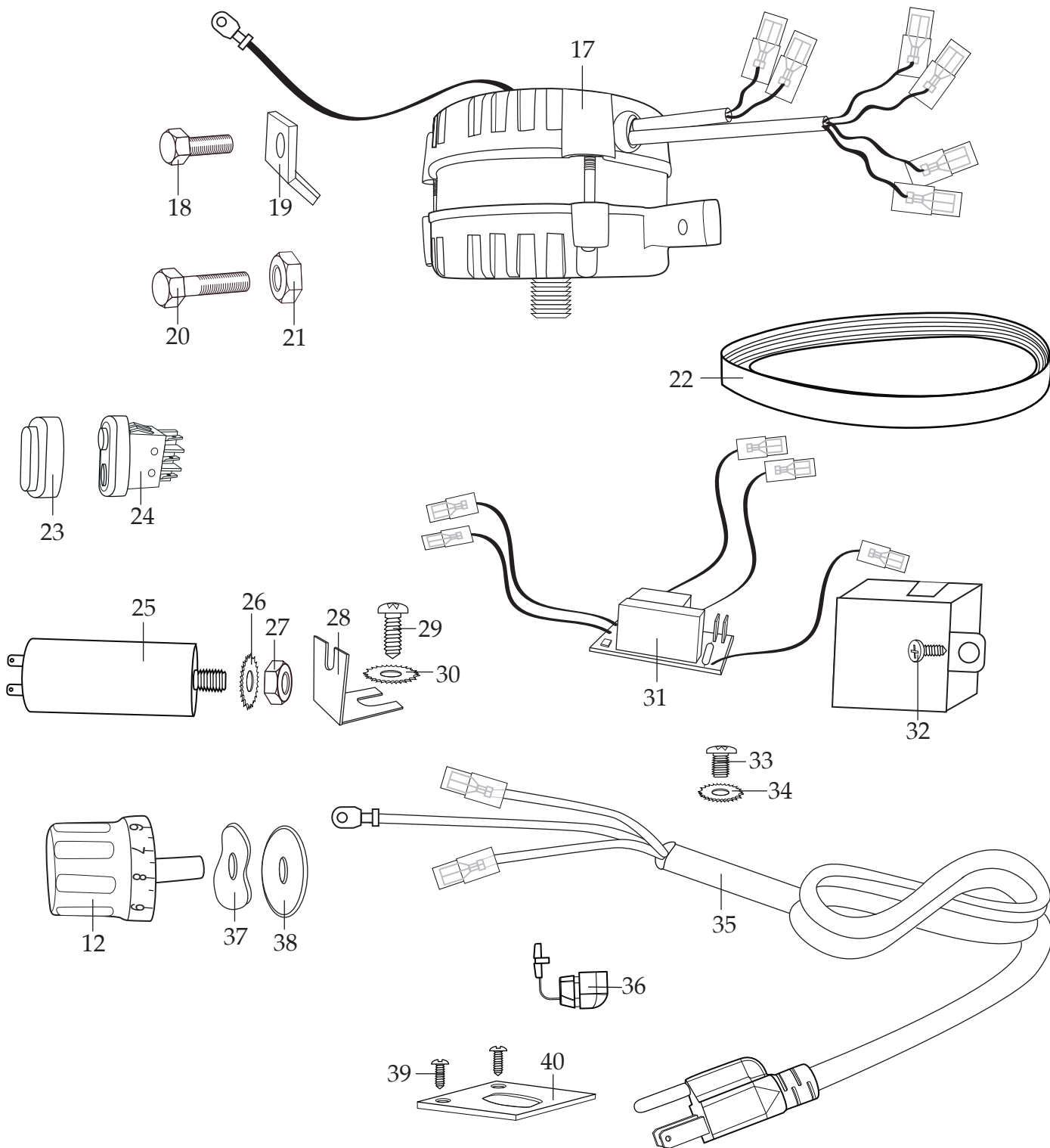
**Unit Information**

120 volts – 60Hz – 98 watts  
Limited 1 Year Warranty



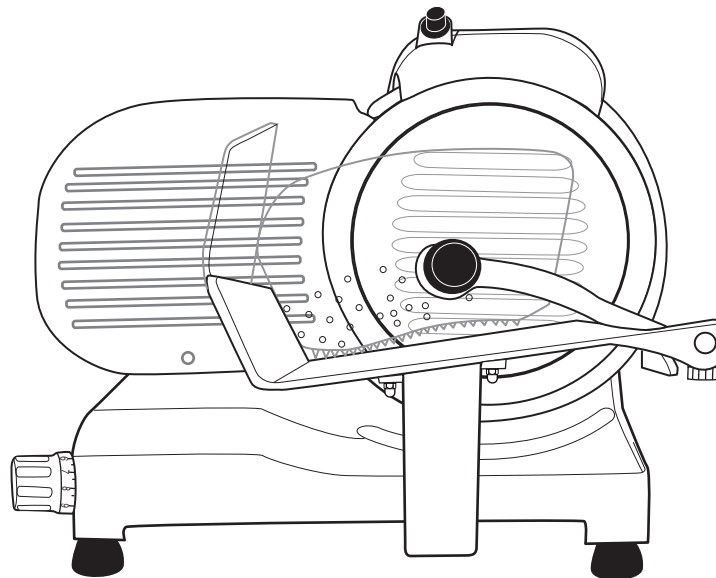
# WARING COMMERCIAL

Internal Components  
WCS220SV silver



<b>Illustration#</b>	<b>Part#</b>	<b>Description</b>
1	036270	Food Guide Handle
2	036269	Plastic Food Guide
3	036267	Washer (2 required)
4	036266	Cap Nut (2 required)
5	037018	Blade Sharpener Rod and Knob
6	037343	8.5" Blade
7	036264	Screw (3 required)
8	037344	Blade Cover
9	037347	Locking Blade Cover Knob and Rod
10	036273	Foot (4 required)
11	036274	Screw (4 required)
12	036277	Thickness Knob
13	036271	Bottom Plate
14	036272	Screw (4 required)
15	036298	Sealing Ring Cover
16	036260	Blade Sharpener Assembly
17	036285	Motor Assembly
18	036287	Short Hex Head Bolt
19	036286	Motor Bracket
20	037345	Long Hex Head Bolt
21	036289	Hex Nut
22	036296	Drive Belt
23	036276	Clear Switch Cover
24	036275	Switch
25	036280	Capacitor
26	036282	Lock Washer
27	036283	Hex Nut
28	036281	Capacitor Bracket

<b>Illustration#</b>	<b>Part#</b>	<b>Description</b>
29	036284	Screw
30	036282	Lock Washer
31	037026	Control Board with Box
32	036272	Screw
33	036290	Ground Screw (2 required)
34	036291	Ground Lock Washer (2 required)
35	036292	Cord
36	036293	Strain Relief
37	036278	Spring Washer
38	037346	Washer
39	036295	Screw (2 required)
40	037025	Cable Lock Plate



**037348**  
WCS220SV Unit