

Unit Information

120 volts – 420 Watts – 3.5 Amps

Unit Dimensions:
L 12.25" x W 10.5" x H 15.25"

Bowl Lid and Mixing Paddle
are Dishwasher Safe

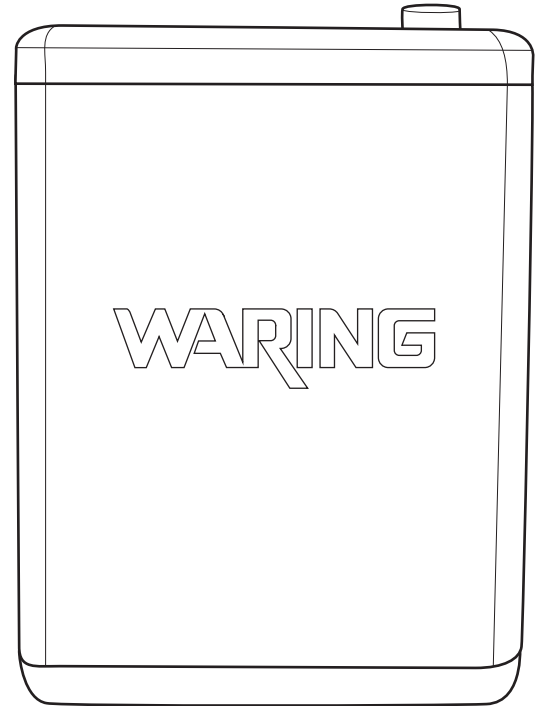
Bowl Handwash ONLY

Limited 1 Year Warranty

WARING COMMERCIAL®

2.5 Qt. Compressor Ice Cream Maker

WCIC25

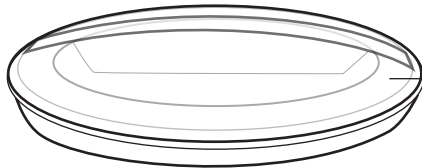


037333
WCIC25 Base Unit
(no cover, paddle, bowl)

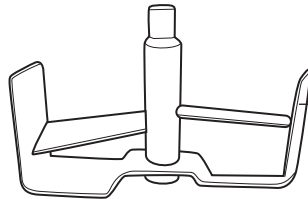


Date Code Location

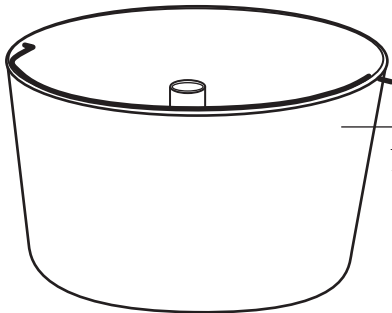
YY|MM|DD
year|year|month|month|day|day →



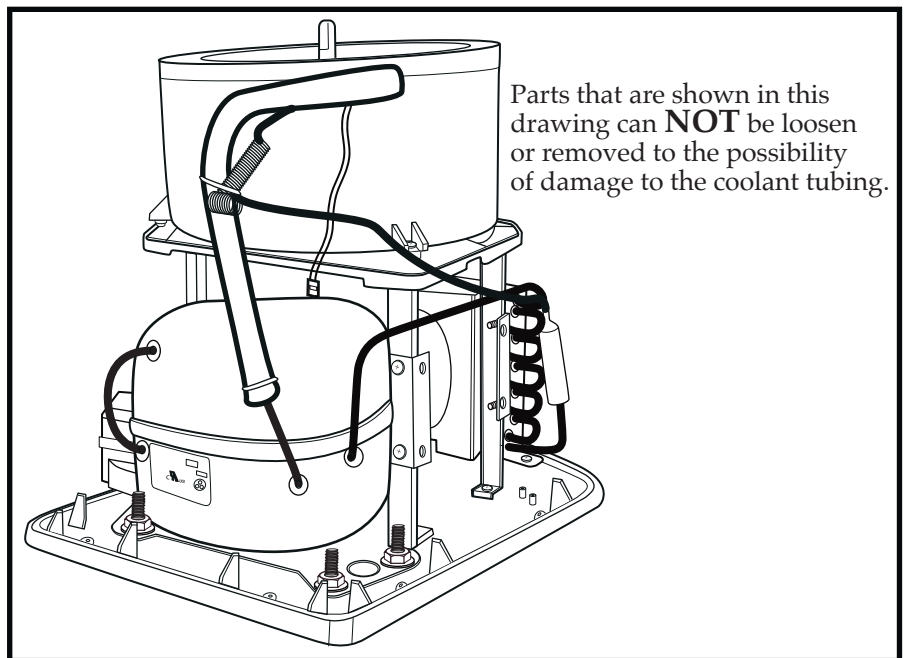
037313
Batch Bowl Lid



037314
Mixing Paddle



037315
Batch Bowl

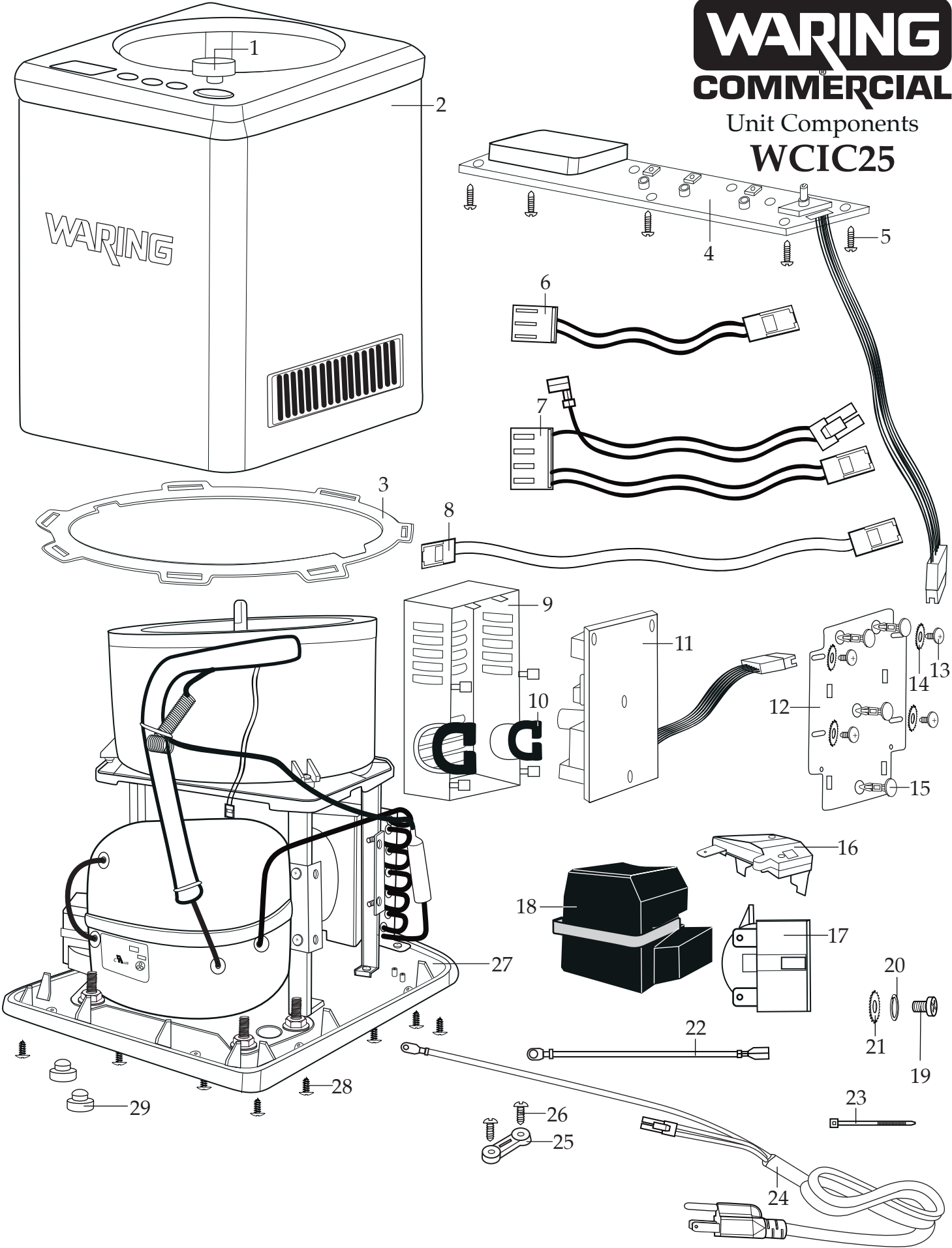


Parts that are shown in this drawing can **NOT** be loosen or removed to the possibility of damage to the coolant tubing.

WARING COMMERCIAL

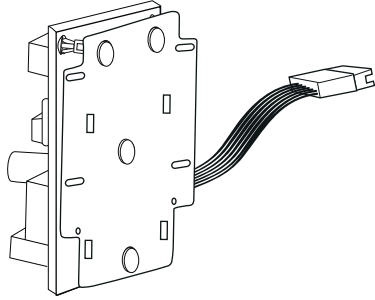
Unit Components

WCIC25

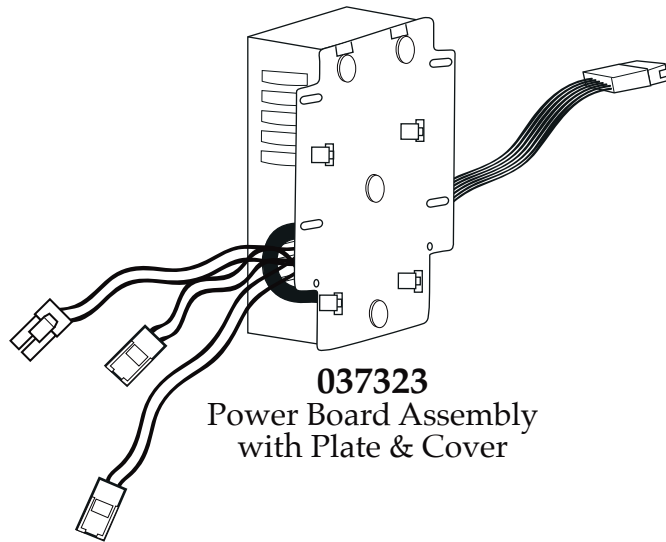


Illustration#	Part#	Description
1	037317	Knob
2	037318	Top Housing Assembly (with seal, control board, knob)
3	037316	Bowl Seal
4	037319	Control Board
5	037320	Control Board Screw (5 required)
6	035740	Red & Blue Lead Harness
7	037330	Red-White-Blue Lead Harness
8	037331	Temp Sensor Harness
9	037334	Power Board Cover
10	035736	Rubber Wiring Tube (2 required)
29	035721	Foot (2 required)
11	037321	Power Board
12	037335	Power Board Plate
13	037324	Power Board Screw (4 required)
14	037325	Power Board Lock Washer (4 required)
15	037326	Press On Stand Offs (4 required)
16	035730	Single Pole Terminal
17	035731	Double Pole Terminal
18	035734	Pole Terminal Cover
19	035732	Ground Screw (2 required)
20	037327	Spring Washer (1 for each screw)
21	035733	Ground Lock Washer (1 for each screw)
22	035753	10.25" Green/Yellow Lead
23	013731	Cable Ties (5 required)
24	037329	Cord with Lead Assembly
25	035751	Cord Clamp
26	037328	Cord Clamp Screw
27	037332	Compressor Base Assembly (with cord, motors, pole terminals, pole cover)

Illustration#	Part#	Description
28	035723	Bottom Plate Screw (8 required)
29	035721	Foot (2 required)



037322
Power Board Assembly with Plate



037323
Power Board Assembly
with Plate & Cover