



# VSP SERIES

## Stockpot Ranges



Model VSP100



Project \_\_\_\_\_  
AIA # \_\_\_\_\_ SIS # \_\_\_\_\_  
Item # \_\_\_\_\_ Quantity \_\_\_\_\_ C.S.I. Section 114000

### MODELS

- VSP100** One section, 18" wide x 24.5" deep
- VSP200F** Two sections, 18" wide x 49" deep

### STANDARD FEATURES

- Stainless steel front and sides.
- Heavy cast iron top grate(s).
- Two concentric 55,000 BTU/hr. ring-type burners per 18" section; 110,000 BTU/hr. input per section.
- Standing pilot ignition system.
- Two infinite heat control valves per section.
- Heat shield to protect control valves.
- 3/4" rear gas connection and gas pressure regulator.
- One year limited parts and labor warranty.

### ACCESSORIES (PACKAGED AND SOLD SEPARATELY)

- CONVALTIKIT-SPP - Propane conversion kit

VSP SERIES – Stockpot Ranges

### SPECIFIER STATEMENT

#### Exterior Dimensions:

18" wide x \_\_\_\_\_" deep x 22½" to 24" working height on adjustable legs

CSA design certified. NSF listed.

**NOTE:** Models are constructed standard for natural gas service. Propane conversion kits are available upon request.

#### SPECIFY TYPE OF GAS WHEN ORDERING

- Natural Gas
- Propane Gas

#### SPECIFY ALTITUDE

- Natural Gas for above 2000 ft.
- Propane Gas for above 3500 ft.

Approved by \_\_\_\_\_ Date \_\_\_\_\_ Approved by \_\_\_\_\_ Date \_\_\_\_\_

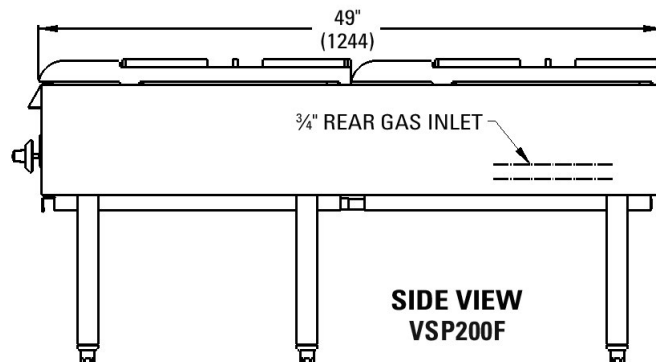
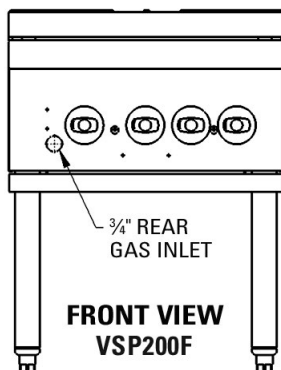
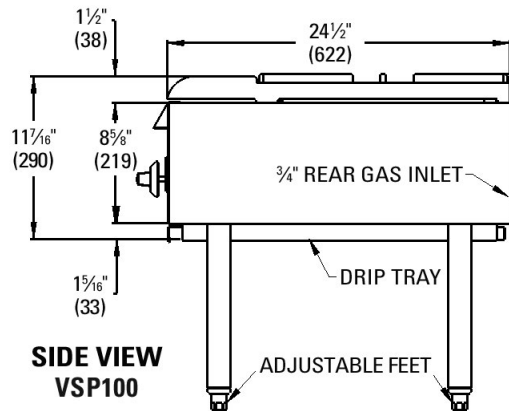
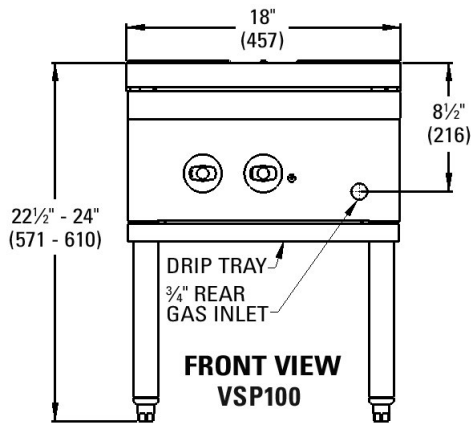
### INSTALLATION REQUIREMENTS:

1. A gas pressure regulator sized for this unit was included.  
Natural Gas 5" W.C.  
Propane Gas 10" W.C.
2. Gas line connecting to appliance must be 3/4" diameter or larger. If flexible connectors are used, the inside diameter must be the same as the 3/4" pipe.
3. An adequate ventilation system is required for commercial cooking equipment. Information may be obtained by writing to the National Fire Protection Association, 1 Batterymarch Park, Quincy, MA 02169, www.NFPA.org. When writing refer to NFPA No. 96.

4. These units are manufactured for installation in accordance with National Fuel Gas Code, ANSI-Z223.1/NFPA #54 (latest edition). Copies may be obtained from The American Gas Association, Accredited Standards Committee Z223 @ 400N. Capital St. NW, Washington, DC 20001, or the Secretary Standards Council, NFPA, 1 Batterymarch Park, Quincy, MA 02169-7471.

**NOTE: In the Commonwealth of Massachusetts**  
**All gas appliances vented through a ventilation hood or exhaust system equipped with a damper or with a power means of exhaust shall comply with 248 CMR.**

- |                |             |                 |
|----------------|-------------|-----------------|
| 5. Clearances: | Combustible | Non-Combustible |
| Rear           | 24"         | 4"              |
| Sides          | 18"         | 0"              |



This appliance is manufactured for commercial installation only and is not intended for home use.

[CAD and/or Revit Files Available](#)

MODEL	TOTAL BTU/HR.	WIDTH	DEPTH	HEIGHT	APPROX. SHIP WT. (LB/KG)
VSP100	110,000	18"	24 1/2"	22 1/2" to 24"	145/66
VSP200F	220,000	18"	49"	22 1/2" to 24"	290/131

As continued product improvement is a policy of Vulcan, specifications are subject to change without notice.