

Two Compartment Sinks

Standard Features

- Stainless steel construction with stainless steel legs
- Entire sink is formed from a single sheet, fused and polished creating a one-piece sanitary unit
- 18” left and right drain boards models available, Creased and angled drain boards for easy drainage
- All exposed welds are grounded smooth and polished to blend with adjacent surfaces providing a satin finish
- Large radius on all corners both vertically and horizontally
- Faucets sold separately
- 18 GA. 304 S/S sink
- S/S legs and sockets
- 3.5” drain basket included
- Sizes of bowl include: 18” x 18” x 12” / 24” x 24” x 14”

MODELS:

SS1818D21D18 / SS1818D21N / SS2424F21D24
SS2424F21N



90 DAYS WARRANTY ON WORKMANSHIP



REV. 11/25

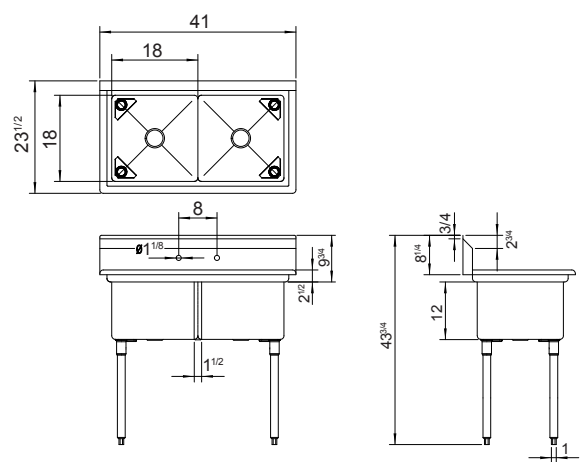
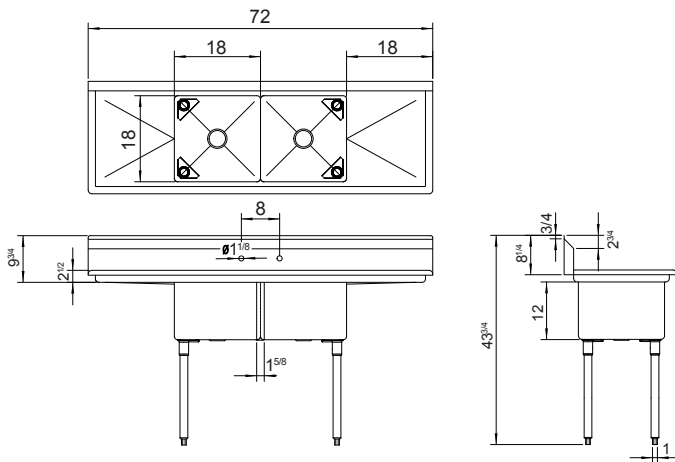
SPECIFICATIONS

Model	Ga.	Bowl Dimensions (WxDxH) (inch)	Bowl Q'ty	Drain Board	Leg Size (inch)	Exterior Dimensions (inch)	Net Weight (lb)	Gross Weight (lb)
SS1818D21D18	18	18 x 18 x 12	2	Both 18"	22 ^{1/2}	72 x 23 ^{1/2} x 43 ^{3/4}	62.7	75.57
SS1818D21N	18	18 x 18 x 12	2	N/A	22 ^{1/2}	41 x 23 ^{1/2} x 43 ^{3/4}	50.16	59.22
SS2424F21D24	18	24 x 24 x 14	2	Both 24"	22 ^{1/2}	96 x 23 ^{1/2} x 43 ^{3/4}	92.62	109.25
SS2424F21N	18	24 x 24 x 14	2	N/A	22 ^{1/2}	53 x 23 ^{1/2} x 43 ^{3/4}	70.84	82.54

PLAN VIEW

SS1818D21D18

SS1818D21N



SS2424F21D24

SS2424F21N

