

<b>True</b> 2001 East Terra Lane • O'Fallon, Missouri 63366-4434 • (636)240-2400 Fax (636)272-2408 • Toll Free (800)325-6152 • Intl Fax# (001)636-272-7546 Parts Dept. (800)424-TRUE • Parts Dept. Fax# (636)272-9471 • www.truemfg.com	<b>TRUE MANUFACTURING CO., INC.</b>		<i>PROJECT NAME</i>	<i>LOCATION</i>	
	<i>ITEM #</i>	<i>QTY</i>	<i>AIA #</i>		
	<i>MODEL #</i>	<i>SIS #</i>			

Models **TGM-DC-59-SC/SC-B-W** **TGM-DC-59-SC/SC-W-W** **TGM-DC-59-SC/SC-S-W** **TGM-DC-59-SC/SC-S-S**  
**True Glass Merchandiser** **Curved Glass, Solid Colored End Refrigerator**



TGM-DC-59-SC/SC-B-W



TGM-DC-59-SC/SC-W-W



TGM-DC-59-SC/SC-S-W



TGM-DC-59-SC/SC-S-S

**Photo  
Not Yet  
Available**

## FEATURES

- ▶ True's "dry" glass merchandisers combines efficient, high volume merchandising with an elegant curved glass front for sophisticated presentation of high end desserts and pastries.
- ▶ Cabinet is NSF/ANSI Standard 2 compliant to hold open food product.
- ▶ Two (2) rear sliding glass doors for back access.
- ▶ Exterior - powder coated FDA black rounded front and back, solid wood sides with aluminum cover and front panels. Color options available (upcharge may apply) - white or stainless.
- ▶ Interior - powder coated FDA white over CRS material. Color options available (upcharge may apply) - black or stainless.
- ▶ Three (3) tiered levels of adjustable wire cantilever shelves that match cabinet interior color. Chrome plated wire shelves standard on stainless units.
- ▶ Curved glass front is single pane tempered glass with extra large viewing area to maximize product presentation.
- ▶ LED interior lighting provides more even lighting throughout the cabinet. Safety shielded.

## STANDARD OPTIONS

Exterior Color	Black, White, or Stainless Steel
Interior Color	Black, White, or Stainless Steel
Shelving	White, Black, Chrome, or Mezzanine

<b>Models:</b>	<b>True Glass Merchandiser:</b>	<b>True</b>
TGM-DC-59-SC/SC-B-W	TGM-DC-59-SC/SC-W-W	<i>Curved Glass, Solid Colored End Refrigerator</i>
TGM-DC-59-SC/SC-S-W	TGM-DC-59-SC/SC-S-S	

## STANDARD FEATURES

### DESIGN

- True's dry display case glass merchandiser combines efficient, high volume merchandising and exceptional refrigeration with an elegant curved glass front for sophisticated presentation of high end deli, desserts and pastries.
- Designed to provide an attractive companion to our TGM-R "refrigerated" glass merchandiser. Please note: If units are banked together, because of side panel, a 1/2" (13mm) gap will remain between units.

### CABINET CONSTRUCTION

- Exterior - powder coated FDA black rounded front and back, solid wood sides with aluminum cover and front panels. Color options available (upcharge may apply) - white or stainless.
- Curved glass front and side glass panels.
- Interior - powder coated FDA white over CRS material. Color options available (upcharge may apply) - black or stainless.
- Insulation - entire cabinet structure is foamed-in-place using a high density, polyurethane insulation that has zero ozone depletion potential (ODP) and zero global warming potential (GWP).
- Welded, heavy duty steel frame rail, black powder coated for corrosion protection.
- Frame rail fitted with leg levelers.

### CURVED FRONT DISPLAY GLASS

- Curved glass front is single pane tempered glass with extra large viewing area to maximize product presentation.

### REAR DOORS

- Two (2) rear sliding glass doors for back access.
- Each door fitted with 12" (305 mm) long aluminum handle.
- Sliding doors ride on stainless steel V-channel with stainless steel bearings. Doors fit within plastic channel frame.

### SHELVEING

- Six (6) adjustable heavy duty PVC coated wire shelves standard.
- Each shelf supports a maximum weight of 150 lbs. (69 kg).

### PAN CAPACITY

- Cabinet holds six (6) 18" L x 26" D (458 mm x 661 mm) display pans and eight (8) 12" L x 18" D (305 mm x 458 mm) display pans. Pans supplied by others.

### LIGHTING

- LED interior lighting, two (2) clips underneath shelf to keep wires in place. Safety shielded.

### MODEL FEATURES

- NSF/ANSI Standard 2 compliant for open food product.

### ELECTRICAL

- Unit completely pre-wired at factory and ready for final connection to a 115/60/1 phase, 15 amp dedicated outlet. Cord and plug set included.



### STANDARD OPTIONS

Upcharge and lead times may apply.

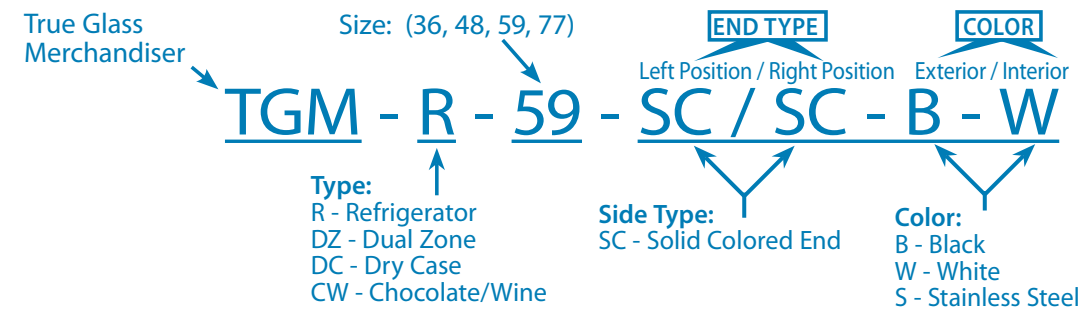
- Black exterior
- White exterior
- Stainless steel exterior
- White interior
- Black interior
- Stainless steel interior
- Solid Colored Exterior Sides with color matching interior (SC)
- White wire shelves
- Black wire shelves
- Chrome plated wire shelves
- Stainless steel mezzanine shelves

### OPTIONAL FEATURES/ACCESSORIES

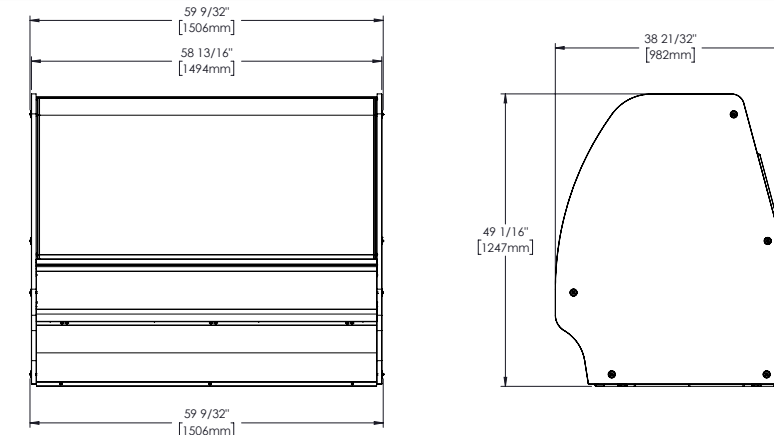
Upcharge and lead times may apply.

- Custom exterior colors (contact factory for details)
- Glass shelves
- Frosted glass shelves
- Ratchet lock
- Electrical Receptacle
- Exterior top scale shelf
- Exterior small top service shelf
- Exterior medium top service shelf
- Exterior large top service shelf
- External front shelf kit (only available in black)
- External rear service shelf kit (only available in black)
- 4" (102mm) Castors
- 2 1/2" (64mm) castors
- 6" (153mm) legs

## TGM MODEL NUMBER NOMENCLATURE SYSTEM



## PLAN VIEW



## ROUGH-IN DATA

Specifications subject to change without notice.  
 Chart dimensions rounded up to the nearest 1/8" (millimeters rounded up to next whole number).

Model	Rear Doors	Shelves	Cabinet Dimensions (inches) (mm)			Voltage	Amps	NEMA Config.	Cord Length (total ft.) (total m)	Crated Weight White/Black Model (lbs.) (kg)	Crated Weight Stainless Model (lbs.) (kg)
			W	D	H						
TGM-DC-59-SC/SC-Δ-Δ	2	6	59 1/4 1505	39 990	49 3/8 1247	115/60/1	7.0	5-15P	9 2.74	TBD	TBD

Δ Represents Exterior/Interior (B-black, W-White, S-Stainless)



10/23

Printed in U.S.A.

APPROVALS:

AVAILABLE AT:

METRIC DIMENSIONS ROUNDED UP TO THE NEAREST WHOLE MILLIMETER

SPECIFICATIONS SUBJECT TO CHANGE WITHOUT NOTICE

	Elevation	Right	Plan	3D	Back
--	-----------	-------	------	----	------

**TRUE MANUFACTURING CO., INC.**

2001 East Terra Lane • O'Fallon, Missouri 63366-4434 • (636)240-2400 • Fax (636)272-2408 • Toll Free (800)325-6152 • Intl. Fax# (001)636-272-7546 • www.truemfg.com