

**SHARP®**



# COMMERCIAL MICROWAVE OVENS

Built To Meet Rugged Commercial Standards

Medium, Heavy-Duty and TwinTouch™ Microwave Ovens

# Innovation and Quality

JUST WHAT TODAY'S COMMERCIAL KITCHENS ARE ORDERING

## Tested For Performance and Durability

Committed to meeting the high-performance needs of a wide range of food service environments, Sharp Electronics consistently offers innovative products and an industry-best warranty. The latest line of commercial microwave ovens are not only packed with the most in-demand features, they are subjected to rigorous testing and evaluation methods to ensure dependability and durability in settings that include fast or full-service restaurants, hospitals and nursing homes, school cafeterias, convenience stores, and more. For added convenience, all of our ovens feature stainless steel interiors and exteriors that resist pitting, chipping, scratching, and corrosion, and are very easy to clean and maintain.

Kitchen Type	We recommend...
Fast Food, Utilizing Vertical Space	TwinTouch™ or Heavy-Duty Ovens
Quick Service	
Small, Convenience	Medium Duty Oven

## The Right Product For Every Purpose

### Innovative Technology, Easily Within Your Reach

After carefully listening to countless restaurant needs and requests, Sharp developed and patented the TwinTouch™ dual control panel. Even when ovens are positioned high on a counter or stacked, the unique TwinTouch dual control panel operation allows accurate, easy operation by virtually all personnel, regardless of height.



### Small On Space, Big On Quality

Combining high-quality material and sophisticated design, Sharp's medium-duty microwave ovens are built to last. Ideal for convenience stores, break rooms, hospitals, and other small and low- to mid-volume settings that do not rely heavily on microwave cooking, these ovens fit easily in smaller kitchens that need a durable, efficient product for heating up foods.

# Heavy-Duty Microwave Ovens

BUILT FOR THE DEMANDS OF THE TOUGHEST KITCHEN

## Cook It Fast, Cook It Right

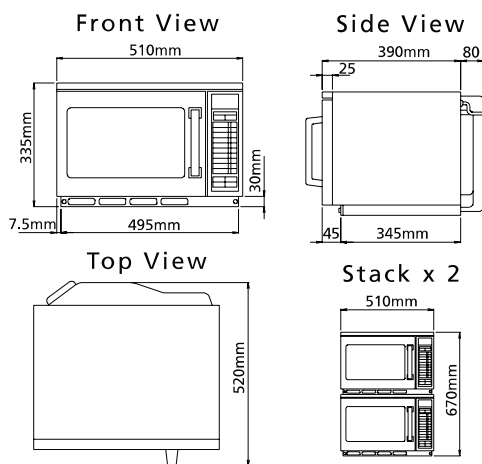
Heavy-duty microwave ovens from Sharp are built for volume use and speed cooking. Designed for busy kitchens where speed and efficiency are essential, stackability brings added convenience, while rugged construction equals exceptional value that's built to last. The Heavy-Duty series offers a range of wattage output to avoid purchasing units that are over or underpowered. This allows kitchens to be outfitted to specific cooking needs and ultimately keeps electricity costs down.

These heavy-duty commercial microwaves are packed with features: For starters, the large (0.7 cubic foot) interior can easily accommodate a half-sized steam table pan with plenty of room for proper handling. Four power output capabilities (standard on all Sharp heavy-duty ovens) enable customization and optimal cooking time. Plus, durable latch handles, the ability to stack two units, high-quality stainless steel interiors and exteriors, and more. Other features include:

- **Memory:** stores up to 20 program inputs; recalls the memories at any time to confirm power level and time setting
- **3-Stage Programming** – Program food to defrost then begin cooking at one power level and finish cooking at another.
- **SelectaPower™** – 11 variable power levels for precise control
- **SelectaTime™** enables manual time input
- **Select from 2 audible tones** that signal the end of the cooking cycle, or switch off for silent operation
- **Double Quantity Button** quickly adjusts time for a double portion
- **Express Defrost™** automatically divides total defrosting time into 3 stages with 3 power levels
- **Counter Check** feature keeps tabs on oven usage, tallying how often each button is used and the number of manual inputs
- **Lighted Digital Display** shows time setting and countdown that is easy to read



R-25JTF 2100 watts  
R-22GTF 1200 watts



# TwinTouch™ Microwave Ovens

THE FOOD SERVICE INDUSTRY'S FIRST DUAL CONTROL OVEN OPERATION

## Easy To Reach, Wherever You Place It

Having a kitchen with stacked appliances or high counters can make it difficult for workers to maintain efficiency—especially when quick cooking and high volume are important. The answer? Sharp TwinTouch™ microwave ovens feature dual touch sensitive control panels: one on the top, and one on the bottom, allowing users of virtually any height to easily operate it, regardless of placement. Improved accessibility can boost both efficiency and productivity, while also increasing safety.

Appliances, particularly microwave ovens, are often stacked in order to save valuable counter space. Placement of control panels at the top of many microwave ovens makes it difficult for many staff members to reach. They sometimes resort to using tools or other objects to reach and operate the oven, creating dangerous situations. Sharp TwinTouch microwave ovens were designed in response to concerns over both the functionality and the safety of today's kitchens.





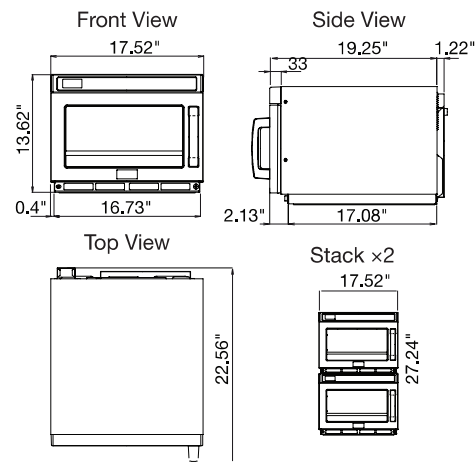
Two 1/3-size steam table pans will fit side-by-side for greater flexibility and higher volume cooking.

**A Second Control Panel Isn't The Only Extra Feature:**

The TwinTouch oven also incorporates convenience that kitchen personnel desire with improved durability that management demands. The TwinTouch is able to accommodate a half-size pan in either direction or two 1/3-size pans side by side. This capacity capability allows more food to be cooked in a given amount of time.

It also will accommodate a 1/2-size steam table pan in either direction with room to spare.

- 0.75 cubic-foot capacity, with the same high-quality stainless steel interior and exterior
- Manual and Memory Programming – has 10 pre-programmed memory pads that easily convert up to 100 memories or can be programmed manually for special needs or times
- 4-Stage Programming – enables users to program in 4 stages with different power levels and cooking time
- Double/Triple Quantity Pads – automatically adjusts to provide optimum heating times for two or three portions
- More Features:
  - Self-diagnostics, auto voltage sensor, and interior exhaust fan all help to improve the unit's lifespan
  - Express Defrost™
  - 11 variable power levels



R-CD2200M  
2200 watts



R-CD1800M  
1800 watts



R-CD1200M  
1200 watts



# Medium-Duty Microwave Ovens

QUALITY AND DEPENDABILITY THAT GO ABOVE AND BEYOND

## Heating Appliance When You Need It

Perfect for smaller kitchens that do not require volume cooking. Sharp medium-duty microwave ovens feature a generous 1.0 cubic-foot capacity and a convenient 1,000-watt power output. They're ideal for defrosting, heating up or cooking small food items, and bring a new dimension of dependability to break rooms, hospitals, convenience stores, gas stations, and countless other settings. An array of easy-to-use features and one-touch controls adds versatility—without added costs of using a higher-powered microwave or oven.

Featuring full stainless steel cabinet, interior, and doors with specially designed latch handles that reduce door failure, one of the most frequent problems on units of lesser quality. These durable units stand up well to day-to-day use and are built to last.



R-21LCFS 1000 watts



R-21LVF 1000 watts



R-21LTF 1000 watts

### R-21LCFS

**Dependable 6-Minute Electronic Dial Timer** – is clearly marked in 10, 15 and 30-second increments. When the door is opened during cooking, the remaining time is cancelled. This is a vast improvement over mechanical dial models that continue counting down after the food is removed – wasting energy and reducing the magnetron's life.

**Heating Time Guide** – recommends times for heating a variety of popular foods. It's a handy "on-the-spot" reference for timesaving convenience.

### R-21LVF

**Computerized Touch Controls** – provides 10 programmable memories with one-second increment timing; built-in safeguards prevent unauthorized changes.

**Double Quantity Pad** – automatically provides optimum heating times for two portions for excellent results.

**Express Defrost™** – automatically divides total defrosting time into 3 stages with 3 power levels.

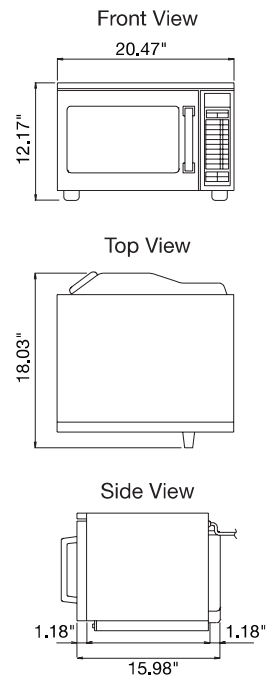
**Memory Check** – lets the user confirm the time setting and power level for each memory pad.

### R-21LTF (includes features above)

**Two-Way Programming** – use any of the pre-programmed memories or manually program up to 20 of your own.




**3-Stage Programming** – program food to defrost then begin cooking at one power level and finish cooking at another.

**Counter Check** – lets the oven "remember" how often each feature was used plus the total number of manual uses so managers can keep closer tabs on operation.





# Product Specifications




## TWINTOUCH™

Model Number:	R-CD2200M	R-CD1800M	R-CD1200M
Oven Control:	Dual control panels	Dual control panels	Dual control panels
Output Power (IEC):	2200W	1800W	1200W
Cabinet and Oven Interior:	Stainless steel	Stainless steel	Stainless steel
Special Features:	10 pre-programmed, 100 total Memories, Double/Triple Quantity, Express Defrost™, 4-stage programming, Auto Voltage Sensor	10 pre-programmed, 100 total Memories, Double/Triple Quantity, Express Defrost™, 4-stage programming, Auto Voltage Sensor	10 pre-programmed, 100 total Memories, Double/Triple Quantity, Express Defrost™, 4-stage programming, Auto Voltage Sensor
Variable Power Levels SelectaPower™:	11 (0-100%)	11 (0-100%)	11 (0-100%)
Cavity Dimensions: (W x H x D)	14" x 7 1/8" x 13"	14" x 7 1/8" x 13"	14" x 7 1/8" x 13"
Outside Dimensions: (W x H x D)	17 1/2" x 13 5/8" x 20 1/2"	17 1/2" x 13 5/8" x 20 1/2"	17 1/2" x 13 5/8" x 20 1/2"
Weight: Net / Shipping	70 lbs / 72 lbs	70 lbs / 72 lbs	65 lbs / 67 lbs
AC Power Required:	230/208V, 60 Hz, 3.2kW 14.0A @ 230V; 16.0A @ 208V	230/208V, 60 Hz, 2.7kW 12.3A @ 230V; 13.5A @ 208V	120V, 60 Hz, 1.9kW, 16.0A
NEMA Receptacle:	6-20R 	6-15R 	5-20R 
UPC:	074000617315	074000617308	074000617292

## HEAVY-DUTY MICROWAVE OVENS

Model Number:	R-25JTF	R-22GTF
Oven Control:	Touch sensitive pads	Touch sensitive pads
Output Power (IEC):	2100W	1200W
Cabinet and Oven Interior:	Stainless steel cabinet and interior	Stainless steel cabinet and interior
Special Features:	20 Memories, Double Quantity, 3-stages, Express Defrost™, Memory Check	20 Memories, Double Quantity, 3-stages, Express Defrost™, Memory Check
Variable Power Levels SelectaPower™:	11	11
Cavity Dimensions: (W x H x D)	13" x 7 1/8" x 13" 0.7 cu. ft.	13" x 7 1/8" x 13" 0.7 cu. ft.
Outside Dimensions: (W x H x D)	20 1/8" x 13 1/4" x 18 1/2"	20 1/8" x 13 1/4" x 18 1/2"
Weight: Net / Shipping	68 lbs / 77 lbs	60 lbs / 66 lbs
AC Power Required:	230/208V, 60 Hz, 3.2kW, 14.5A @230V, 15.5A @208V	120V, 60Hz, 2.0kW, 17A
NEMA Receptacle:	6-20R 	5-20R 
UPC:	074000607880	074000611733

## MEDIUM DUTY MICROWAVE OVENS

Model Number:	R-21LTF	R-21LVF	R-21LCFS
Oven Control:	Touch sensitive pads with Braille	Touch sensitive pads with Braille	Electronic Light Up Dial with Auto Cancel
Output Power (IEC):	1000W	1000W	1000W
Heater Power:	—	—	—
Cabinet and Oven Interior:	Stainless steel cabinet and interior	Stainless steel cabinet and interior	Stainless steel cabinet and interior
Special Features:	20 Memories, Double Quantity, Express Defrost™, 3-stages, Memory Check	10 Memories, Double Quantity, Express Defrost™, Memory Check	Heating Time Guide, 6-minute coded, Light Up Dial timer, Auto Cancel
Variable Power Levels SelectaPower™:	11	100% only	100% only
Cavity Dimensions: (W x H x D)	13 7/8" x 8 1/8" x 14 5/8" 1.0 cu. ft.	13 7/8" x 8 1/8" x 14 5/8" 1.0 cu. ft.	13 7/8" x 8 1/8" x 14 5/8" 1.0 cu. ft.
Outside Dimensions: (W x H x D)	20 1/2" x 12 1/8" x 16"	20 1/2" x 12 1/8" x 16"	20 1/2" x 12 1/8" x 16"
Weight: Net / Shipping	37 lbs / 44 lbs	37 lbs / 44 lbs	37 lbs / 44 lbs
AC Power Required:	120V, 60 Hz, 1.55kW, 14A	120V, 60 Hz, 1.55kW, 14A	120V, 60 Hz, 1.55kW, 14A
NEMA Receptacle:	5-15 R 	5-15 R 	5-15 R 
UPC:	074000616509	074000616486	074000620483

# SHARP®

SHARP ELECTRONICS CORPORATION  
100 PARAGON DR, STE 100, MONTVALE, NJ 07645  
©2018 SHARP ELECTRONICS CORPORATION.  
ALL RIGHTS RESERVED.

Design and specifications subject to change without notice.  
Sharp is a registered trademark of Sharp Corporation. TwinTouch,  
SelectaProgram, SelectaPower, SelectaTime and Express Defrost  
are trademarks of Sharp Corporation. All other trademarks are  
the property of their respected owners.



20180105