



Item No.: _____
 Order No.: _____
 Qty: _____ Date: _____

Features

- All stainless steel construction
- Enclosed base provides storage for utensils, pans or lids
- Independent infinite control knobs with indicator lights
- 8" deep wells hold 2 full size food pans or can accommodate custom pan layout
- Water pan more deeper than 6"
- Food pan 4" deep max
- Polyethylene 8" deep cutting board with full support shelf for stability
- Dry operated, can be paired with compatible spillage pans for moist heat

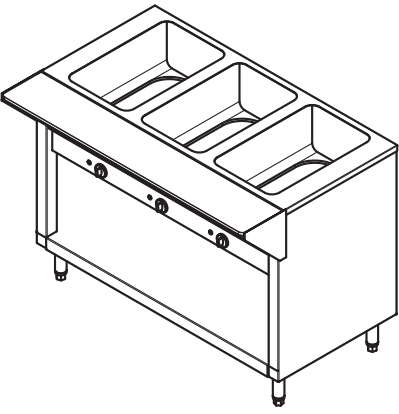
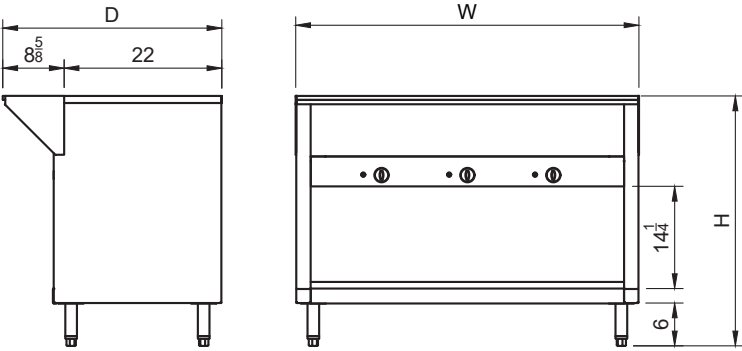


Description **Stainless Steel Electric Hot Food Enclosed Table with Cutting Board**

Keep your entrees, appetizers, and side dishes hot and ready to serve with this electric hot food table. This hot food table features open wells that keep your food products at proper temperatures, and infinite control knobs and power indicator lights are convenient additions to this unit that help you set and adjust temperatures for each well. These components are recessed to help prevent clogging from spilled food.

Plan View

ST-3WCE-120



Order No.	D x W x H (in)	Wells No.	Voltage	Amps	Watts	G. W. (lb)
ST-2WCE-120	30-3/8 x 30 x 35	2	120	8.3	1000	93
ST-3WCE-120	30-3/8 x 44 x 35	3	120	12.5	1500	124
ST-4WCE-240	30-3/8 x 58 x 35	4	240	16.67	4000	154
ST-5WCE-240	30-3/8 x 72x 35	5	240	20.84	5000	185