

Company:

Job:

Notes:

Item#:



MANUFACTURING INC.

WORK TABLES - 18ga/400 Bullnose Edge

5" BACKSPASH TOP WITH OPEN BASE & GALVANIZED LEGS

FEATURES & CONSTRUCTION

- Top is fabricated with 1-1/2" rounded bullnose edge on front edge, 5" Backsplash and flat edges on both ends.
- Table top edges formed with hemmed edges to provide extra rigidity and safe to touched finished.
- Top reinforced with two (2) sound deadening hat channels
- All exposed welded areas smooth polished to brush finish sanitary #4.
- Adjustable cross-bar secure to leg with easily cross-bar manage aluminum die cast fitting.
- Welded leg socket for removable table legs.
- All tables shipped K.D. and easily assembled.

MATERIAL

- Top: 18 Gauge 430 Stainless Steel
- Cross-bar 1 1/4" Galvanized Steel Tubing
- Leg: 1 5/8" Galvanized Steel Tubing, Galvanized Steel
- Leg Socket, 1" Adjustable Plastic Bullet Feet



Hat Channel Supported



Rolled Rim Edge
Front and Rear
Reinforced with
Hemmed Edge



Aluminum Die Cast Fitting for Adjustable Cross Bar



1" Adjustable Plastic Bullet Feet



45° Slanted Backsplash

Model #	SIZE			G.W.
	W	L	H	
SMTOB-2424G	24"	24"	36"	32 lbs
SMTOB-2430G	24"	30"	36"	36 lbs
SMTOB-2436G	24"	36"	36"	39 lbs
SMTOB-2448G	24"	48"	36"	46 lbs
SMTOB-2460G	24"	60"	36"	53 lbs
SMTOB-2472G	24"	72"	36"	61 lbs
SMTOB-2484G	24"	84"	36"	74 lbs
SMTOB-2496G	24"	96"	36"	84 lbs
SMTOB-24108G	24"	108"	36"	94 lbs
SMTOB-24120G	24"	120"	36"	104 lbs

Model #	SIZE			G.W.
	W	L	H	
SMTOB-3030G	30"	30"	36"	38 lbs
SMTOB-3036G	30"	36"	36"	42 lbs
SMTOB-3048G	30"	48"	36"	52 lbs
SMTOB-3060G	30"	60"	36"	61 lbs
SMTOB-3072G	30"	72"	36"	67 lbs
SMTOB-3084G	30"	84"	36"	83 lbs
SMTOB-3096G	30"	96"	36"	92 lbs
SMTOB-30108G	30"	108"	36"	101 lbs
SMTOB-30120G	30"	120"	36"	110 lbs



WEIGHT CAPACITY FOR DISTRIBUTED LOAD IN LBS

5" BACKSPASH TOP TABLES WITH OPEN BASE	UP TO 72" LENGTH	84" + WITH CENTER LEG
18 ga Table Top	350	450

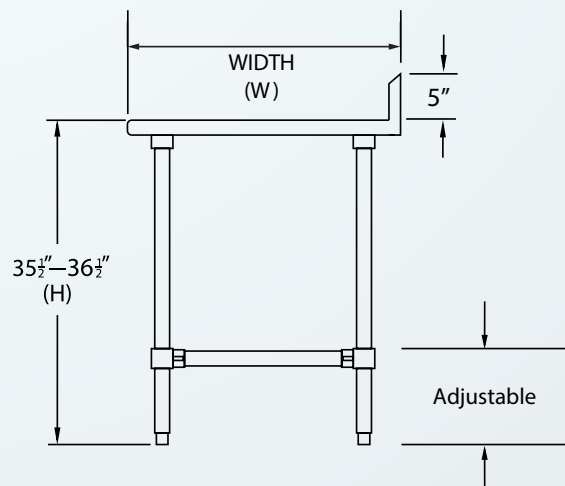
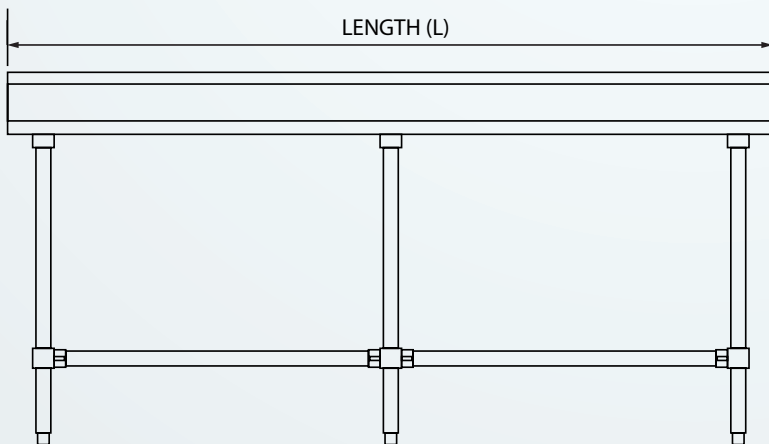
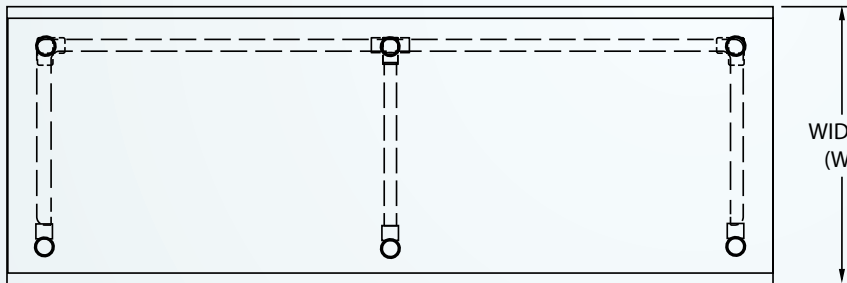
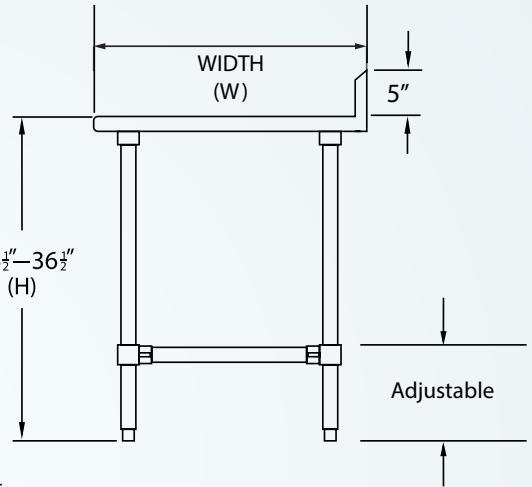
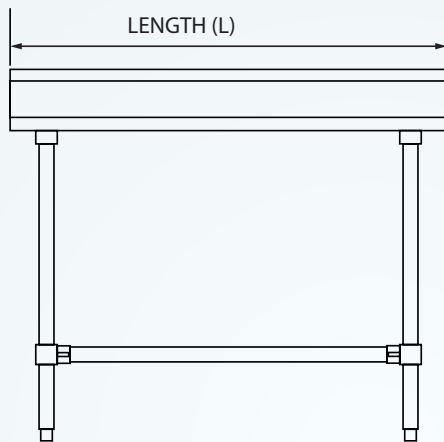
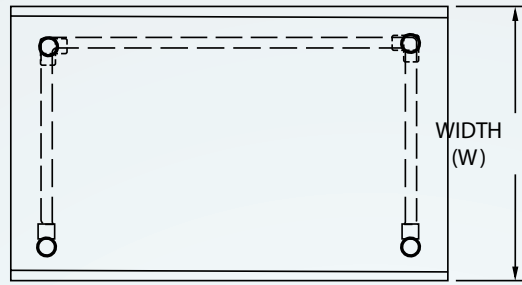




MANUFACTURING INC.

WORK TABLES - 18ga/400 Bullnose Edge

5" BACKSPLASH TOP WITH OPEN BASE & GALVANIZED LEGS



* 84" tables and longer come with 6 legs



Specifications subject to change without notice - All dimensions are typical (Tolerance 1/4")