



Item No.: _____
 Order No.: _____
 Qty: _____ Date: _____

TWO TUBS SINK WITH TWO DRAIN BOARDS

Features

- 16 or 18 gauge stainless steel
- Two tubs sink with two drain boards
- 8" wall mounted faucet holes
- Polished finish stainless steel
- Stainless steel legs with cross bracing
- Extra welded under tubs for longevity
- Strainers included, opening diameter 3-5/8"

Suggested Accessory:

AA-7xxG



AA-8xxG



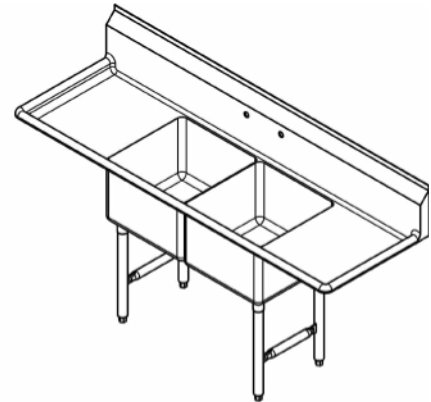
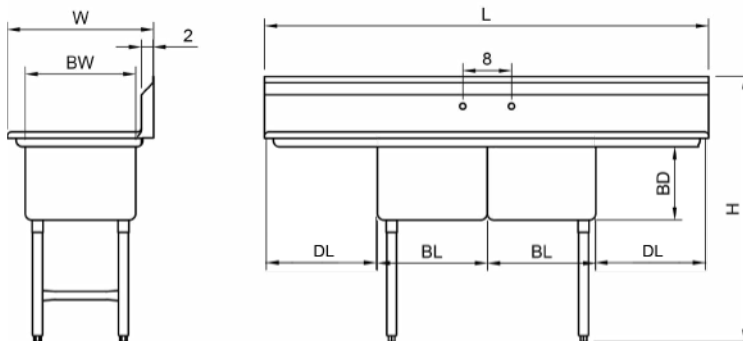
Description

Two Tubs Sink With Two Drain Boards

This sink is corrosion-resistant, more durable and built to last. Plus, it's easy to maintain and can be wiped clean at the end of the day. With the added drainboard you can increase your drying space and declutter your drying racks and countertops. With the added work space, you can organize your kitchen and create an efficient work flow. Your staff will appreciate the extra room and health inspectors will applaud your attention to standard codes and regulations.

Plan View

SE15152D



Order No.	DL (in)	Ga.	BW	BL	BD	W x L x H (in)	G. W. (lbs)
SE15152D	15	18	15	15	12	21 x 60-1/4 x 45	55
SE18182D	18	18	18	18	12	24 x 72-1/4 x 45	68
SEE18182D (Econ.)	18	18	18	18	12	24 x 72-1/4 x 45	64
SE18182D24	24	18	18	18	12	24 x 84-1/4 x 45	75
SH18242D	18	16	24	18	14	30 x 72-1/4 x 45	95
SH20242D	20	16	24	20	14	30 x 80-1/4 x 45	103
SH24242D	24	16	24	24	14	30 x 96-1/4 x 45	117