

Equipment Stands (30 Inch Series)

Standard Features

- Stainless steel construction including the top, undershelf, hat channel, legs and sockets
- Ships KD
- Tools are included for easy assembly
- Adjustable undershelf and bullet feet provide additional storage space, as well as optimum stability
- Safety hemmed edge around the sides and back comes standard to keep equipment and other contents from sliding off
- Added H-shape reinforced rib underneath the top surface makes it able to support more evenly distributed weight

Optional Accessories

- Caster Set, 5" H, 1-1/2" expanding stem caster kit (set of 4) part #: WA400001

Recommended Weight Capacity

Model	Weight capacity top shelf (lb)	Weight capacity under shelf (lb)
SE3024ECR2	800	620
SE3030ECR2	800	620
SE3036ECR2	800	620
SE3048ECR2	900	700
SE3060ECR2	900	700

MODELS:

SE3024ECR2 / SE3030ECR2 / SE3036ECR2 /
SE3048ECR2 / SE3060ECR2



90 DAYS WARRANTY ON WORKMANSHIP

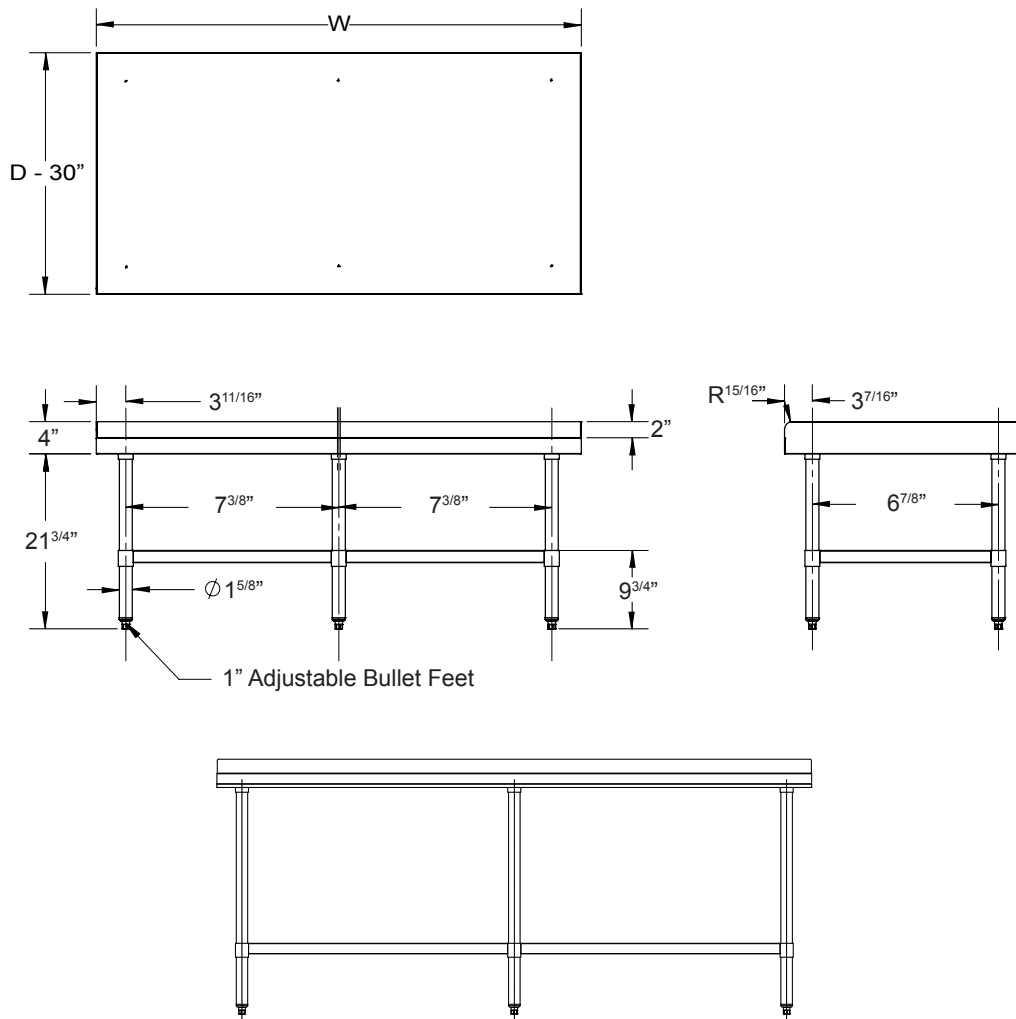


REV. 02/26

SPECIFICATIONS

Model	Legs	Ga.	Exterior Dimensions (WxDxH) (inch)	Net Weight (lb)	Gross Weight (lb)
SE3024ECR2	4	18	24 ^{1/4} × 30 × 25 ^{3/4}	33.15	41.33
SE3030ECR2	4	18	30 ^{1/4} × 30 × 25 ^{3/4}	38.36	43.65
SE3036ECR2	4	18	36 ^{1/4} × 30 × 25 ^{3/4}	43.58	52.24
SE3048ECR2	4	18	48 ^{1/4} × 30 × 25 ^{3/4}	54.14	64.81
SE3060ECR2	4	18	60 ^{1/4} × 30 × 25 ^{3/4}	70.1	79.8

PLAN VIEW



60" And Longer Come With 6 Legs