

# WARING COMMERCIAL

Variable Speed Blenders with  
64 oz. Stackable Raptor Container

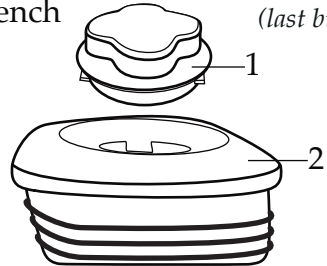
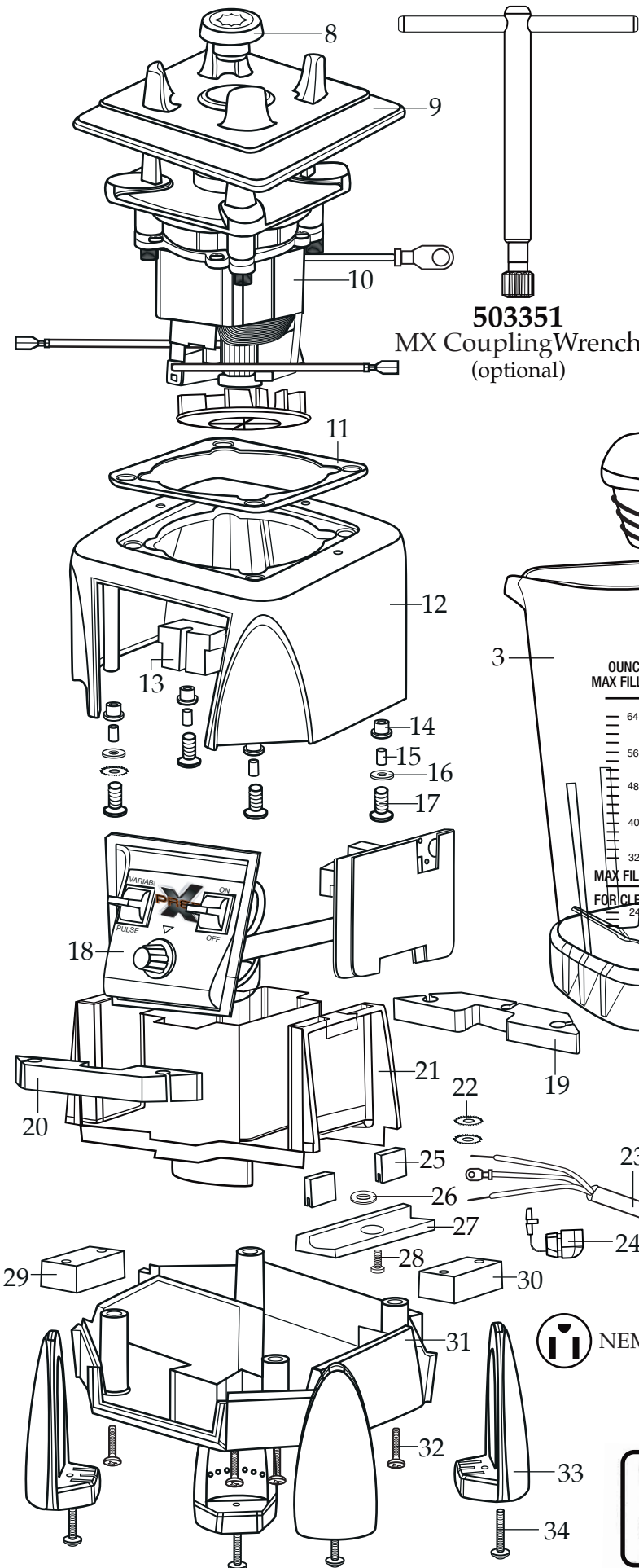
## MX1200XTX

## MX1205XTX

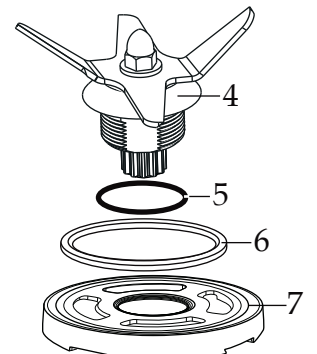
comes with WBK-MX1200  
(last built 12/8/2011 as of 4/4/2019)

### Unit Information

Limited 3 Year Motor Warranty  
Two Year Parts & Labor  
3 HP Motor – 60Hz – 13 Amps  
Height 19" – Weight 15 lbs.  
RPM's Variable 1,500-20,000  
Pulse 30,000  
One Piece Dishwasher Safe  
Removable Jar Pad



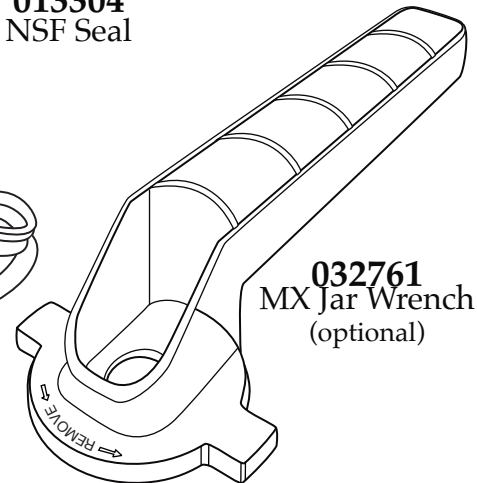
**503351**  
MX Coupling Wrench  
(optional)



**030889**  
Blending Assembly Kit



**013304**  
NSF Seal



**032761**  
MX Jar Wrench  
(optional)



NEMA 5-15



← Date Code Location  
YY|MM|DD  
year year | month month | day day

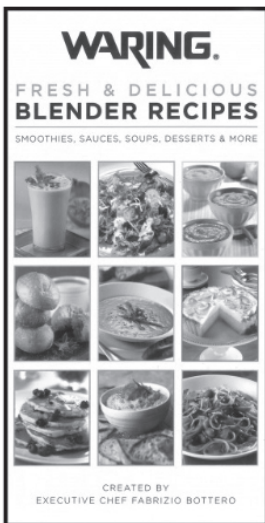
Illustration#	Part#	Description
1	026425-E	Jar Lid Cover
2	026424-V	Vinyl Jar Lid <i>(changed after 11/30/2012)</i>
3	503326	64 oz. Stackable Raptor Container ONLY
	503398	64 oz. Stackable Raptor Container with Blending Assembly <i>(on units after 2/9/2011)</i>
	503350	64 oz. Stackable Container with Blending Assembly
4	503397	Blade Assembly <i>(changed after 2/9/2011)</i>
5	024271	Bearing Holder O Ring
6	024268	Nut Gasket
7	029631	Bearing Holder Nut
8	503601	Sq. Drive Coupling with Adapter <i>(on units after 3/29/2022)</i>
	503604	Sq. Drive Coupling with Adapter 2 Gen. <i>(changed after 5/7/2021)</i>
	028538	Drive Coupling
9	026442	Jar Pad
10	035397	Leili Motor with Sensor <i>(on units after 9/6/2017)</i>
	028101	ECM Motor with Sensor
11	038278	Dampening Plate Gasket <i>(on units after 8/25/2022)</i>
	026437	Dampening Plate Gasket
12	028032-09	Top Housing /black
13	028541	Motor Foam (2 required)
14	026439	Dampening Plate Bushing (4 required)
15	038486	Dampening Plate Sleeve (4 required <i>on units after 8/25/2022</i> )
	026453	Dampening Plate Sleeve (4 required)
16	026459	Washer (2 required)
17	028929	Sems (4 required)
18	036400	Control Panel w/ Interlock <i>(on units after 9/7/2018)</i> comes with switches-key board-main board
	035013	Microprocessor Control Panel <i>(changed after 3/10/2015 use 036400)</i>
	034122	Control Panel <i>(use 035013 on units after 1/10/2014)</i>
	033467	Control Panel <i>(use 034122 on units after 6/25/2013)</i>
	029811	Control Panel <i>(use 033467 on units after 10/29/2011)</i>
	028268	Control Panel <i>(use 033467)</i>
19	028248	Top Housing Foam Rear Baffle
20	028249	Top Housing Foam Front Baffle
21	036814	Motor Housing 2.78" <i>(on units after 7/15/2019)</i>
	028240-67	Motor Housing <i>(on units after 9/6/2017)</i>
	028240	Motor Housing
22	002943	Washer (3 required)
23	026925	Cord Set
24	007556	Strain Relief
25	034900	PCB Cushion (2 required <i>on units after 7/15/2019</i> )
26	037232	Neoprene Washer <i>(on units after 7/15/2019)</i>

**Catalog**  
 MX1200XTX  
 MX1205XTX

**Model**  
 MX1200XT41

**WARING**  
**COMMERCIAL**  
 314 Ella T. Grasso Ave.  
 Torrington, CT 06790  
 Tele. 1-800-269-6640  
 Fax 860-496-9017  
 www.waringcommercialproducts.com

Illustration#	Part#	Description
27	037007	PCB Mounting Bracket <i>(on units after 7/15/2019)</i>
28	013768	Screw <i>(on units after 7/15/2019)</i>
29	028247	Bottom Housing Foam Baffle
30	028542	Foam Baffle
31	028241-09-X	Black Bottom Housing
32	012505	Screw (4 required)
33	026430	Corner Post (4 required)
34	028928	Sems (4 required)



**WBK-MX1200**  
 Recipe Book

