

WARING COMMERCIAL

Xtreme Blenders with Paddle Switch
64 oz. Stackable Container

MX1000TX

MX1000TXGR

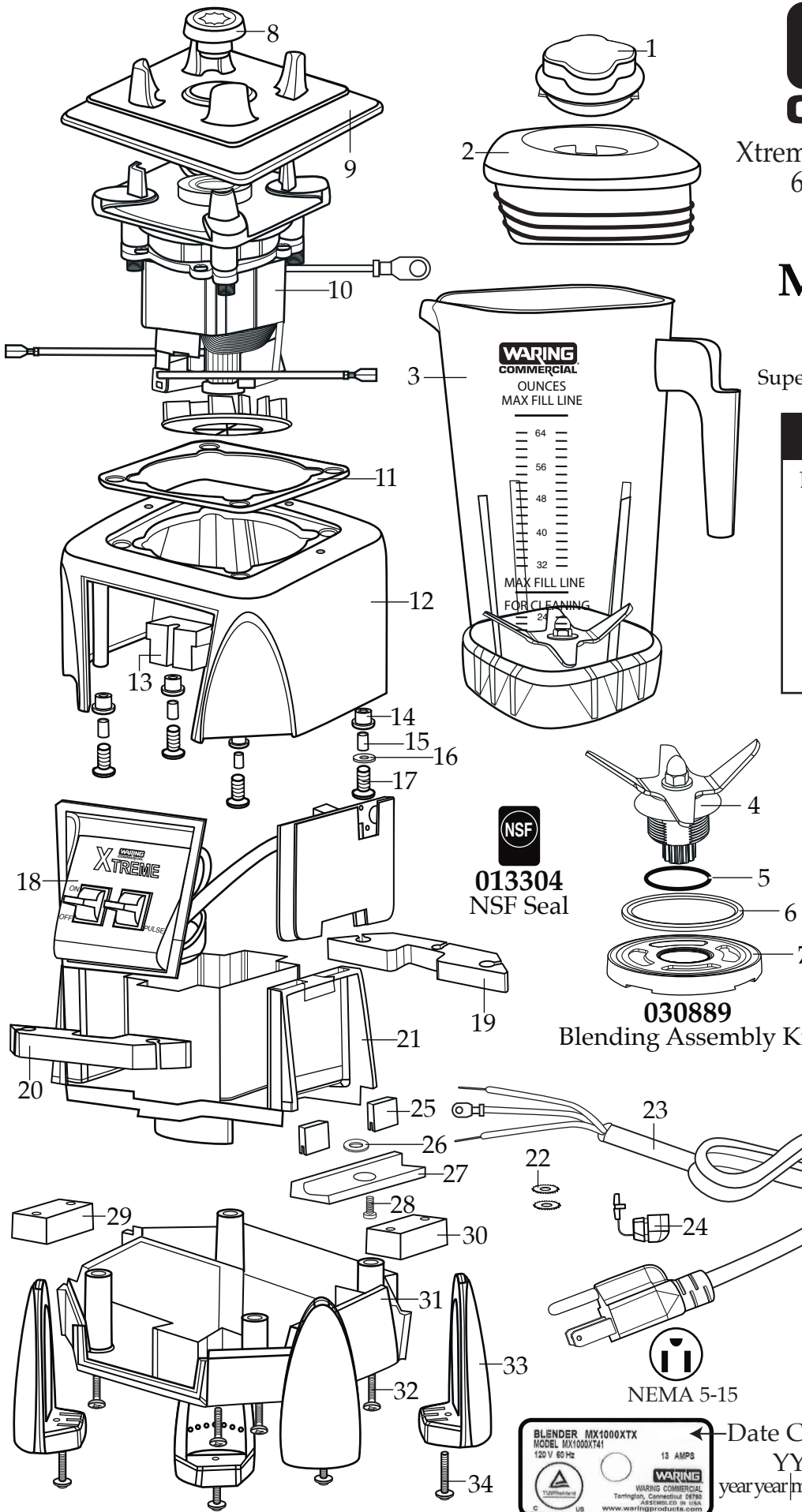
Grainger

SUP1000TX

Superior - US Foods (last built 11/4/2014)

Unit Information

Limited 3 Year Motor Warranty
Two Year Parts & Labor
60Hz – 13 Amps – 1560 Watts
Height 19" – Weight 15 lbs.
3 HP Motor
30,000+ RPM's
One Piece Dishwasher Safe
Removable Jar Pad



NSF
013304
NSF Seal

030889
Blending Assembly Kit

503351
MX Coupling Wrench
(optional)

032761
MX Jar Wrench
(optional)

BLENDER MX1000TX
MODEL MX1000TX41
120 V 60 Hz
13 AMPS
WARING COMMERCIAL
Torrington, Connecticut 06790
ACCESSORIES IN USA
www.waringproducts.com

← Date Code Location
YY|MM|DD
year|year|month|month|day|day

Catalog

Model

MX1000XTX
 MX1000XTXGR
 SUP1000XTX

MX1000XT41



314 Ella T. Grasso Ave.
 Torrington, CT 06790
 Tele. 1-800-269-6640
 Fax 860-496-9017

www.waringcommercialproducts.com

Illustration#	Part#	Description
1	026425-E	Jar Lid Cover
2	026424-V	Vinyl Jar Lid <i>(changed after 12/5/2012)</i>
3	503326	64 oz. Stackable Container ONLY
	503398	64 oz. Stackable Container with Blending Assembly <i>(on units after 2/4/2011)</i>
	503350	64 oz. Stackable Container with Blending Assembly
4	503397	Blade Assembly <i>(changed after 2/4/2011)</i>
5	024271	Buna O Ring
6	024268	Rubber Nut Gasket
7	029631	Bearing Holder Nut
8	503601	Sq. Drive Coupling with Adapter <i>(on units after 3/29/2022)</i>
	503604	Sq. Drive Coupling with Adapter 2 Gen <i>(on units after 5/7/2021)</i>
	028538	Drive Coupling
9	026442	Jar Pad
10	035396	Leili without Sensor <i>(on units after 8/3/2017)</i>
	028100	ECM Motor without Sensor
11	038278	Dampening Plate Gasket <i>(on units after 8/25/2022)</i>
	026437	Dampening Plate Gasket
12	028032-09	Top Housing /black
13	028541	Motor Foam (2 required)
14	026439	Dampening Plate Bushing (4 required)
15	038486	Dampening Plate Sleeve (4 required <i>on units after 8/25/2022</i>)
	026453	Dampening Plate Sleeve (4 required)
16	026459	Stainless Steel Washer
17	028929	Sems (4 required)
18	036394	Control Panel with Interlock <i>(on units after 2/8/2019)</i> comes with switches- key board-main board
	033465	Soft Start Sealed Switch Control Panel <i>(changed after 6/13/2013 use 036394)</i>
	029808	Soft Start Contol Panel <i>(on units after 3/2/2011 use 033465)</i>
	028388	Control Panel (use 029808)
19	028248	Top Housing Foam Rear Baffle
20	028249	Top Housing Foam Front Baffle
21	036814	Motor Housing 2.78" <i>(on units after 7/18/2019)</i>
	028240-67	Motor Housing <i>(on units after 8/3/2017)</i>
	028240	Motor Housing
22	002943	Washer (2 required)
23	026925	Cord Set
24	007556	Strain Relief
25	034900	PCB Cushions (2 required <i>on units 7/18/2019</i>)

Illustration#	Part#	Description
26	037232	Neoprene Washer (on units after 7/18/2019)
27	037007	PCB Mounting Bracket (on units after 7/18/2019)
28	013768	Screw (on units after 7/18/2019)
29	028247	Bottom Housing Foam Baffle
30	028542	Foam Baffle
31	028241-09-X	Bottom Housing /black
32	012505	Screw (4 required)
33	026430	Corner Post (4 required)
34	028928	Sems (4 required)

