



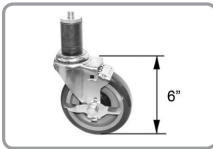
Item No.: _____
Order No.: _____
Qty: _____ Date: _____

ALL WELDED STAINLESS STEEL 6 PANS RACK WORK TOP CART

Features

- Top is furnished with a 2" x 1" square die embossed
- 6" casters with brake
- Countertop offset & No-DRIP edge with a 1/2" return on four sides
- Pan rack slides sized for (6) 18" x 26" pans w/ 2-7/8" tray slide spacing

Replacement Caster:



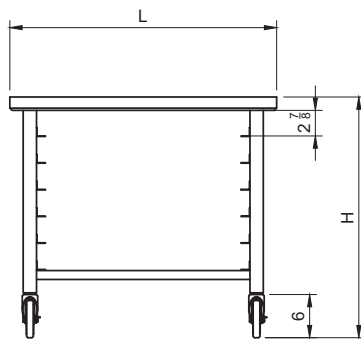
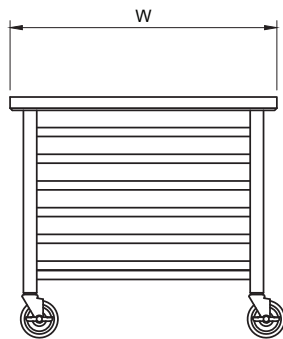
KS 6113
w/ side brake



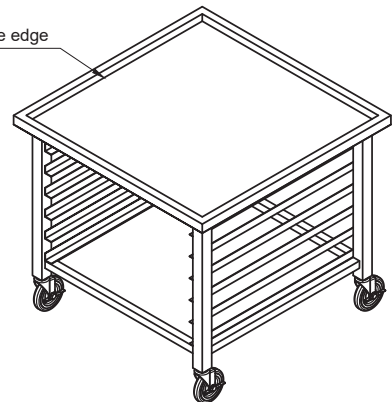
Description All Welded Stainless Steel 6 Pans Rack Work Top Cart

Prep, assemble, and store your signature products in one location with this 6 pans work top rack! The stainless steel work top allows you to prep your products. When the pan is full, simply store it below on the stainless steel angle slides and repeat! This rack can hold up to 6 full size sheet pans with 2-7/8" of space between each slide, so you'll always have enough room and support for your signature pastries, sheet cakes, cookies, or broiled foods.

Plan View MT-M3030



1/2" deep marine edge



| Item No. | W x L x H (in) | Load Cap. (lb.) | Shelf Cap. (lb.) | G. W. (lb.) | Qty. |
|----------|----------------|-----------------|------------------|-------------|------|
| MT-M3024 | 30 x 24 x 28 | 180 | 30 | 46 | 1 |
| MT-M3030 | 30 x 30 x 28 | 180 | 30 | 56 | 1 |