

Project: \_\_\_\_\_ Location: \_\_\_\_\_ Item #: \_\_\_\_\_ Quantity: \_\_\_\_\_

**Standard Features**

- Fast cook times with patented Steam Vector Technology™ (SVT), which utilizes no moving parts
- Cook mode and variable temperature hold mode
- Certified holding cabinet and UL listed
- Easy-to-use digital controls with digital temperature display
- Independent digital electronic timer with programmable preset
- 2.5 gallon water reservoir
- No water or drain line
- No water filtration or treatment required
- No scheduled delimiting
- Cast aluminum heating element is not exposed to water
- No warranty exclusions for water quality
- Easy-to-clean control panel
- Dishwasher-safe one-piece wire pan racks and SVT steam collector and distribution panels
- Operating and cleaning instructions on door
- Front-mounted drain valve
- Heavy-duty, one-piece field reversible door
- Multiple kW heat inputs available for all cooking needs
- Steamer cavity constructed of reinforced 304 stainless steel
- Automatic altitude compensation
- Easy-to-access service panel
- Low water, high water and over-temp indicator lights
- (2) 5' power cords with plug included
- Stainless steel support stand
- One year parts and labor warranty
- Lifetime Service & Support Guarantee
- EPA 202 evaluated for ventless cooking
- International / Maritime models available; call AccuTemp for more information

**Options & Accessories**

- Bullet feet or flanged feet
- Stainless steel support stand available with casters, bullet feet or flanged feet
- Steam condenser unit (separate power required)
- Drain kit
- Drain pan (required for use)
- 2 ½" Drain pan with plumbable elbow
- 2" Solid hotel pan
- 2" Perforated hotel pan
- Prison package

**Safety, Sanitation & Environmental**

- EPA 202 Evaluated / NFPA 96 4.1.1.2 Compliant
- UL LISTED Safety Certification (UL 197)
- UL EPH Sanitation Certification (NSF 4)



**Pan Capacities**

Pan Size	Qty.
#200 full size (12x20x2.5")	12
#400 full size (12x20x4")	8

**Short Spec**

Evolution™ steamer is AccuTemp Products' electric, connectionless, boiler-free steamer that utilizes AccuTemp's patented Steam Vector Technology™ for faster cook times, improved energy efficiency, and better pan-to-pan uniformity. Steam Vector Technology utilizes no moving parts inside the cooking chamber. Steam is produced inside the cooking cavity with no heating element exposed to water. Certified holding cabinet. No water or drain line. Steamer includes low water, high water, over-temp warning lights and auto shut off feature. Evolution includes heavy duty, one-piece field reversible door. Standard digital controls with independent timer. No water quality exclusions in warranty. No water filtration or treatment required. Lifetime Service & Support Guarantee. Steamer is UL Safety and Sanitation Certified, and ENERGY STAR® qualified. Made in the USA.

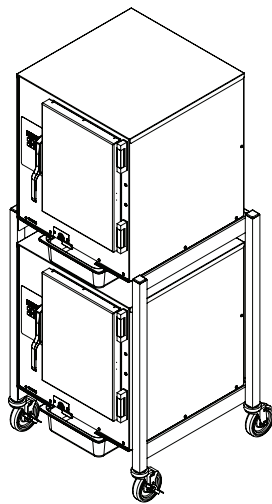
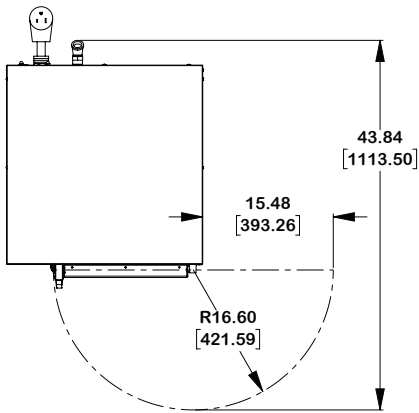


E6 Evolution™ models shown double-stacked on stand with optional casters and drain pans

Steamer Model "D" Specifications per cavity • DBL = TWO CAVITIES							
Model #	E62081D060 DBL	E62083D100 DBL	E62083D150 DBL	E62401D060 DBL	E62403D110 DBL		E64803D140 DBL
Volts AC	208	208	208	240	208	240	440   480
Phase	1	3	3	1	3		3
Amps	29	28	42	25	22	26	16   17
Suggested Breaker Size	30 amp	30 amp	50 amp	30 amp	30 amp		20 amp
Watts (kW)	6	10	15	6	8	11	12   14
NEMA Plug	L6-30P	L15-30P	15-50P	L6-30P	L15-30P		L16-20P

**Notes:**

1. Allow 3" between fryer, ranges, and other hot surfaces.
2. Each steamer is equipped with a 5' power cord, separate receptacle needed for each steamer.
3. For use on individual branch circuits only.
4. Do not connect to a circuit operating at more than 150V to ground.
5. Steamer dimensions in line drawings are in inches and [millimeters].
6. Commercial use only.
7. AccuTemp steamers can be placed on a commercial kitchen countertop or installed on an AccuTemp steamer stand. Do not place directly onto any kind of heat source.



**HEIGHT OF STAND WITH  
BULLET FEET OR FLANGED FEET:  
64.37 [1635.00]**

