



DUKERS

Quality Commercial Refrigeration



KEGERATOR

MODEL DKB48-M2



PRODUCT FEATURES



The Dukers draft beer system has ample space to withhold different keg of beers. Beer dispenses through a single tube with two handles made of stainless steel to ensure bacterial resistance.



Defrosts automatically to reduce ice buildup, and its evaporator coil is epoxy coated so it won't corrode. Designed with stainless steel construction, the top can be used as a durable workstation that's convenient to wipe clean



Equipped with electronic controls, users can adjust the temperature of the Dukers draft beer cooler from 33 to 38 degrees Fahrenheit.



Heavy-duty casters with brakes are included providing the unit with convenient mobility. Just roll the unit away from the wall.



Magnetic door gasket(s) standard for positive door seal



Beer Dispenser



Drip Tray



TECHNICAL SPECIFICATIONS

| | |
|-----------------------|-----------------|
| Voltage/Frequency | 110V/60Hz |
| Refrigerant | R290 |
| Type of Defrost | Automatic |
| Interior Material | Stainless Steel |
| Exterior Material | Stainless Steel |
| Temperature Range °F | 33 ~ 38° |
| Compressor Power (HP) | 1/5 |
| Nema Config. | NEMA5-15P |



HIGH QUALITY STAINLESS STEEL & ROBUST DESIGN



DUKERS

Los Angeles | San Francisco | Dallas
Houston | Florida | Chicago | New Jersey

1-800-931-8628

@ info@dukersusa.com

www.DukersUSA.com

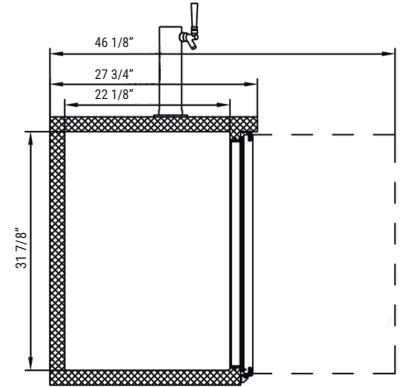
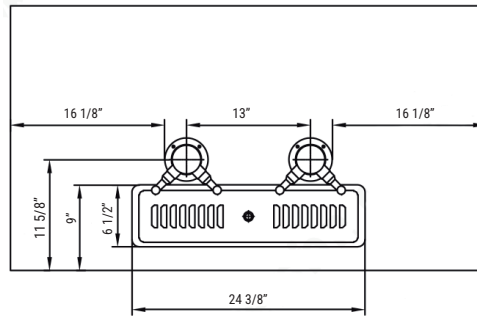
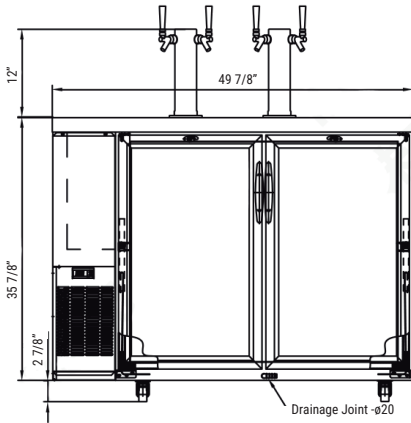
DETAILS & SPECIFICATIONS

KEGERATOR

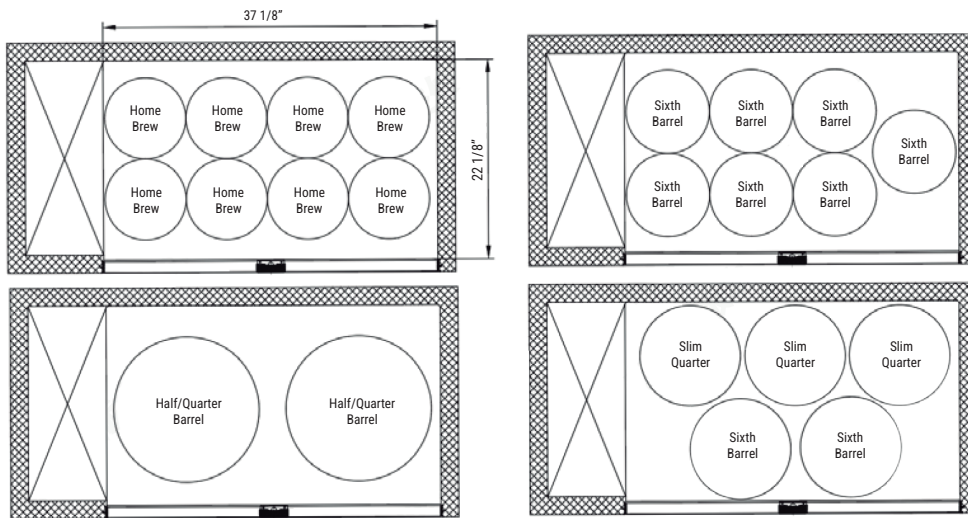
Front View

Top View

Side View



Keg configuration



115/60/1
NEMA-5-15P



| MODEL | EXTERNAL DIMENSION WXDXH (INCHES) | PACKAGING DIMENSION WXDXH (INCHES) | PRODUCT NET WEIGHT | 40FT (PCS) |
|----------|--------------------------------------|---------------------------------------|-----------------------|---------------|
| DKB48-M2 | 49 7/8"x27 3/4"x47 7/8" | 58 4/8"x29 3/8"x42 1/8" | 240 lbs | 54 |

* All measures are presented in inches and pounds



Los Angeles | San Francisco | Dallas
Houston | Florida | Chicago | New Jersey

1-800-931-8628

@ info@dukersusa.com

www.DukersUSA.com