



Item No.: _____
 Order No.: _____
 Qty: _____ Date: _____

CLEAN DISTABLE - LEFT

Features

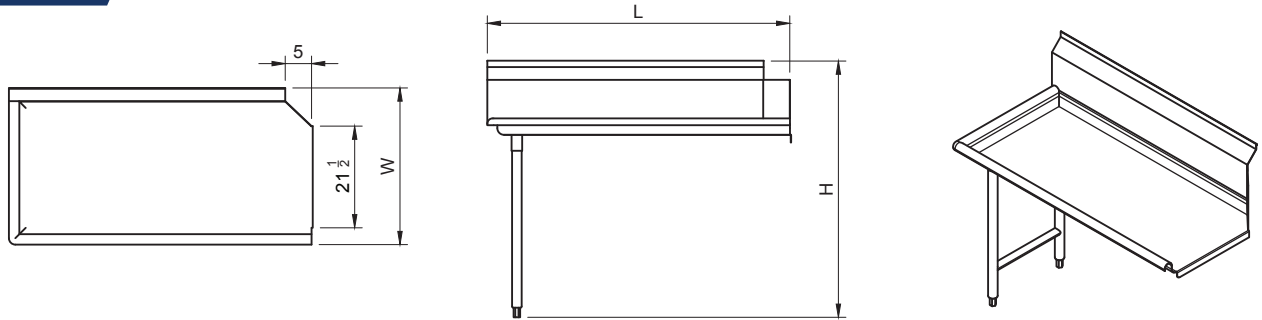
- 16 gauge, 304 stainless steel top & bowls
- Table has formed-down lip to fit most standard dishwasher
- Stainless steel legs with cross bracing
- 11-1/2" backsplash, 20" x 20" x 8" sink bowl
- 72" and up models come with 4 legs



Description Clean Distable - Left

This dish table provides your dishwashing station with an appropriate place to stock your dirty dishes before they go through the wash cycle. It is made from 16 gauge 304-series stainless steel, including the legs and cross bracing. The lip attaches to your dishwasher for seamless transfer of dishes from the table to the unit. Due to this feature, no hardware is required for attachment. Perfect for restaurants, cafes, and hotels!

Plan View DT48C-L



Order No.	Gauge	W x L x H	G. W. (lbs)
DT24C-L	16	30 x 24 x 45-1/2	29
DT30C-L	16	30 x 30 x 45-1/2	34
DT36C-L	16	30 x 36 x 45-1/2	38
DT48C-L	16	30 x 48 x 45-1/2	50
DT60C-L	16	30 x 60 x 45-1/2	57
DT72C-L	16	30 x 72 x 45-1/2	67
DT84C-L	16	30 x 84 x 45-1/2	77
DT96C-L	16	30 x 96 x 45-1/2	87



Item No.: _____
 Order No.: _____
 Qty: _____ Date: _____

CLEAN DISTABLE - RIGHT

Features

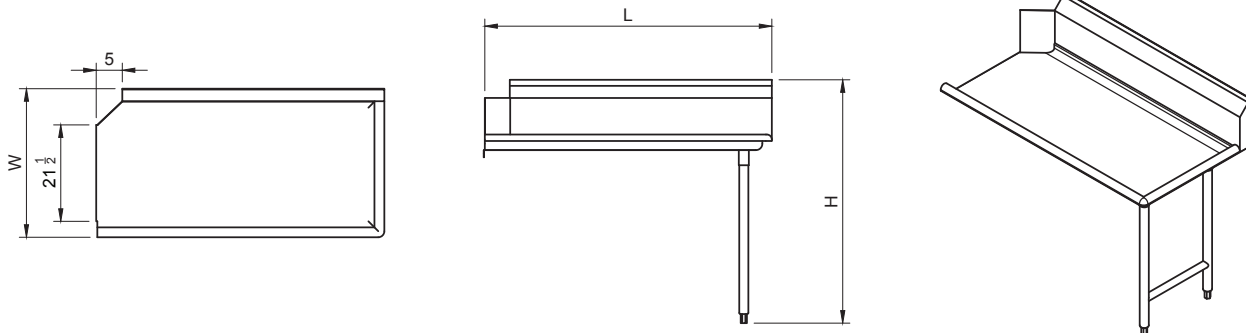
- 16 gauge, 304 stainless steel top & bowls
- Table has formed-down lip to fit most standard dishwasher
- Stainless steel legs with cross bracing
- 11-1/2" backsplash, 20" x 20" x 8" sink bowl
- 72" and up models come with 4 legs



Description Clean Distable - Right

This dish table provides your dishwashing station with an appropriate place to stock your dirty dishes before they go through the wash cycle. It is made from 16 gauge 304-series stainless steel, including the legs and cross bracing. The lip attaches to your dishwasher for seamless transfer of dishes from the table to the unit. Due to this feature, no hardware is required for attachment. Perfect for restaurants, cafes, and hotels!

Plan View DT48C-R



Order No.	Gauge	W x L x H	G. W. (lbs)
DT24C-R	16	30 x 24 x 45-1/2	29
DT30C-R	16	30 x 30 x 45-1/2	34
DT36C-R	16	30 x 36 x 45-1/2	38
DT48C-R	16	30 x 48 x 45-1/2	50
DT60C-R	16	30 x 60 x 45-1/2	57
DT72C-R	16	30 x 72 x 45-1/2	67
DT84C-R	16	30 x 84 x 45-1/2	77
DT96C-R	16	30 x 96 x 45-1/2	87