



DCSC24

COMMERCIAL STEAM CABINET



DCSC24

Technical Specifications

| | |
|-----------------|--|
| Gas Pressure | Natural Gas: 4 in. w.c. Propane: 10 in. w.c. |
| Nozzle Size | Natural Gas: #32 Orifice Propane: #48 Orifice |
| Available Gases | Natural Gas / Propane |

Features & Benefits

- Independent chambers prevent flavor mixing and ensure consistent results.
- Three-tier capacity supports high-volume kitchen operations.
- Efficient natural-draft burner for fast heating and high energy performance.
- Stable ignition with safety protection for reliable operation.
- Dual-valve system enables flexible flame adjustment.
- Tight door sealing ensures better heat and moisture retention.
- Durable, hygienic, and easy to clean.
Safe to touch and ideal for high-frequency operation.
- Enhanced stability for heavy-duty kitchen use.



Los Angeles | San Francisco | Dallas | Houston |
Florida | Chicago | New Jersey | Colorado | Georgia

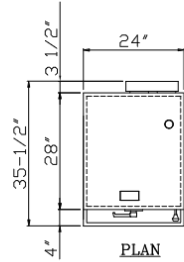
 1-800-931-8628

 info@dukersusa.com

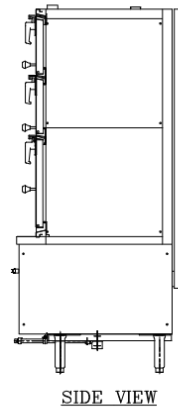
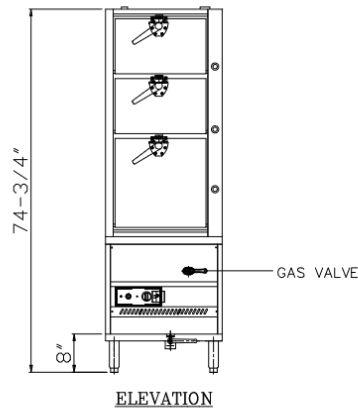
www.DukersUSA.com

COMMERCIAL STEAM CABINET

DCSC24



| Layer Dimensions | |
|-----------------------------|--------------------------|
| Working Area (Upper Layer) | 14 1/2 × 23 1/4 × 8 3/4 |
| Working Area (Middle Layer) | 14 1/2 × 23 1/4 × 8 3/4 |
| Working Area (Lower Layer) | 14 1/2 × 23 1/4 × 15 3/4 |



COMMERCIAL STEAM CABINET

| Model | External Dimensions (inches) | | | Packing Carton (inches) | | | Burner | Single Burner Power | Total Power | Net Weight | Gross Weight | 40HQ Container Certification |
|--------|------------------------------|--------|--------|-------------------------|--------|--------|--------|---------------------|-------------|------------|--------------|------------------------------|
| | W | D | H | W | D | H | | | | | | |
| DCSC24 | 24 | 35 1/2 | 74 3/4 | 28 | 39 3/4 | 82 1/4 | 2 | 45000BTU/H | 90000 BTU/H | 202 | 247 | 36 |



Los Angeles | San Francisco | Dallas | Houston |
Florida | Chicago | New Jersey | Colorado | Georgia

1-800-931-8628

info@dukersusa.com

www.DukersUSA.com