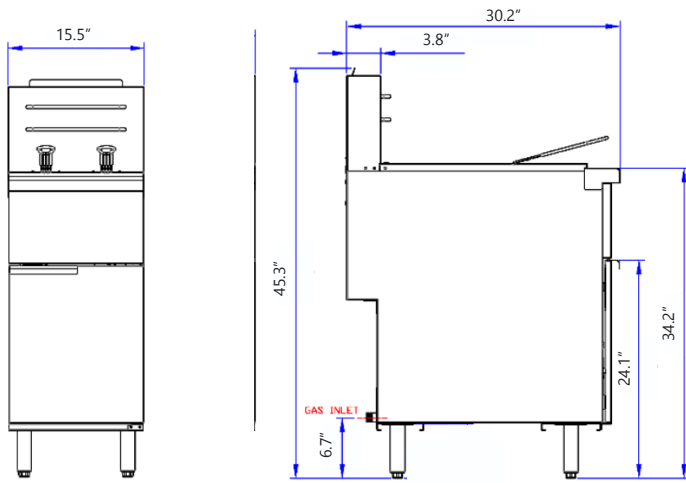




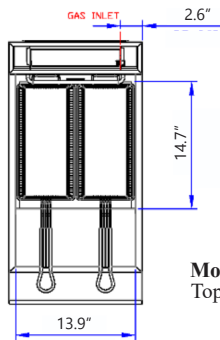
America's Oldest Stove Company
(Est. 1838)

"V" Pot Gas Fryer

Model CS-VF50



Model CS-VF50



Model CS-VF50
Top Basket View



| Model | Gas Type | Total BTU | Oil Capacity | Overall Dimensions | Net Weight | Package Size | Shipping |
|---------|-------------|-----------|--------------|---------------------|------------|---------------------|----------|
| CS-VF50 | Natural Gas | 122,000 | 50-60 lbs. | 15.5"x 30.2"x 45.3" | 145 lbs. | 16.6"x 32.3"x 33.5" | 163 lbs. |

Standard Features

- Open pot structure, CS-VF50 model at 50 lbs capacity
- Snap action millivolt control behind the door, this is a gas fryer and doesn't require electric connections
- The temperature control range 200°F- 400°F
- Four stainless steel adjustable legs
- Large cold zone. Captures and holds particles out of the heating zone, reduces taste transfer
- Twin baskets with plastic coated handle
- 1 -1/4" full port drain valve for fast and complete oil draining
- This appliance is manufactured for commercial installation only, not intended for home use.
- 3/4" NPT rear gas connections
- Supply gas pressure not to exceed 14" W.C. (1/2 PSI)
- Natural gas operating pressure - 4.0" W.C, Recommended supply pressure 7-9" W.C
- Propane gas operating pressure - 10.0" W.C, Recommended supply pressure 11-12" W.C
- Requires a 6" clearance at both side and rear adjacent to combustible construction
- Unit are not supplied with conversion kits, select gas type before ordering

NOTICE: In an ongoing effort of product development & improvement, Comstock-Castle reserves the right to change specifications and product design without notice. Such modifications do not entitle the buyer to corresponding changes or replacements for previously purchased equipment.



Comstock-Castle Stove Co. • 119 W. Washington St. • Quincy, IL. 62301
Tel.: 217-223-5070 • Fax: 217-223-0007 • www.castlestove.com

