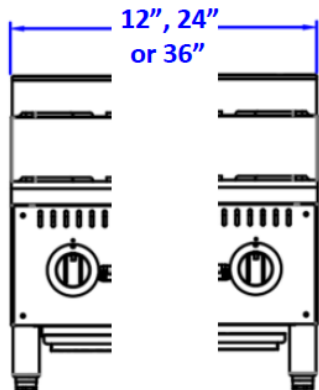


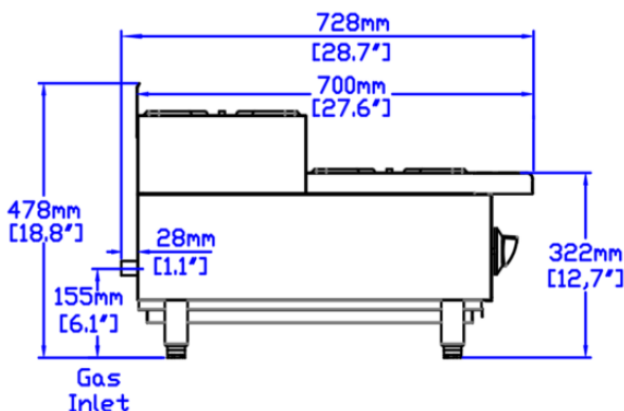


# Step-Up Hotplates

## CS-SUHP Series



Model CS-SUHP24



### Standard Features & Benefits

**CONSTRUCTION:** Easy cleaning, corrosion resistant stainless steel finish. Adjustable stainless steel legs for easy leveling. Installation clearances for non-combustible surfaces are 6" on sides and 6" in the rear.

**BURNERS:** Long life, cast iron octagonal pattern burners each rated at 26,000 BTU's. 12" x 12" cast iron top grates each with cast-in aeration bowls to reflect heat for optimum efficiency.

**TOP GRATES:** 12" x 12" cast iron top grates each with cast-in aeration bowls to reflect heat for optimum efficiency.

**CONTROLS:** Reliable brass gas valves with adjustable standing pilots for each burner. Pressure regulators are set at the factory for the gas type specified. Conversion kits are included for gas conversion. Optimal pressures are 4" WC for natural gas and 10" WC for propane. Manifold size is 3/4" NPT. All controls are tested and confirmed in good working order.

SPECIFICATIONS				
Model		CS-SUHP12	CS-SUHP24	CS-SUHP36
Width	in.	12	24	36
	mm	305	610	915
Depth	in.	28.7	28.7	28.7
	mm	728	728	728
Height	in.	18.8	18.8	18.8
	mm	478	478	478
Approx. Ship Weight	lbs.	92	145	196
	Kgs	42	66	89
Total BTU		52,000	104,000	156,000



**WARNING:** This product can expose you to certain chemicals, which are known to the State of California to cause cancer or birth defects or other reproductive harm. For more information go to: [www.P65Warnings.com](http://www.P65Warnings.com)

**NOTICE:** In an ongoing effort of product development & improvement, Comstock-Castle reserves the right to change specifications and product design without notice. Such modifications do not entitle the buyer to corresponding changes or replacements for previously purchased equipment.



**Comstock-Castle Stove Co. • 119 W. Washington St. • Quincy, IL. 62301**  
**Tel.: 217-223-5070 • Fax.: 217-223-0007 • Web: [www.castlestove.com](http://www.castlestove.com)**

