



# ELECTRIC RANGE

## Model CS-ER36


36" wide, 208 Volt

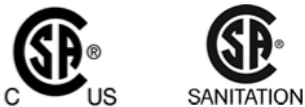
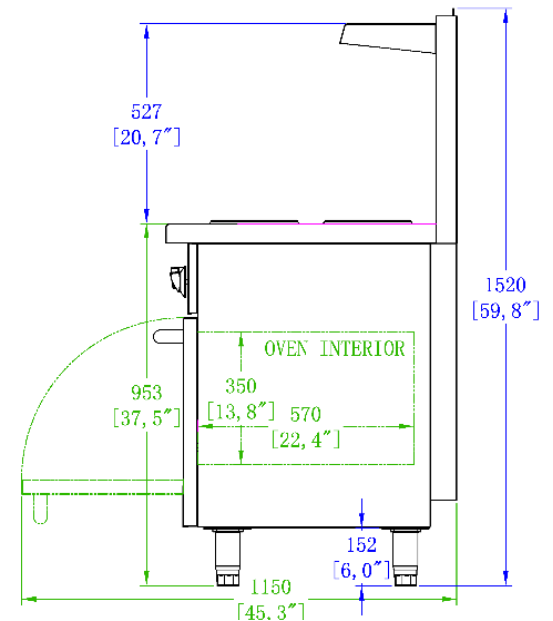
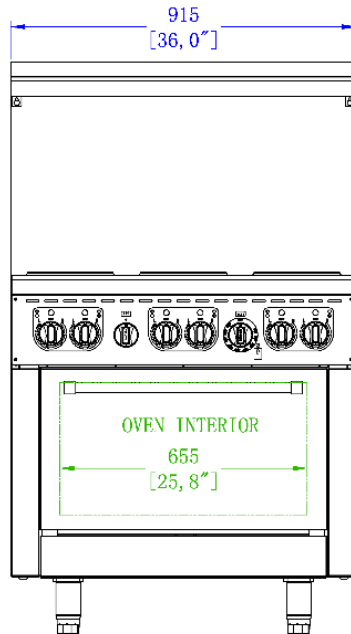
### Standard Features

- Stainless steel front, back & shelf, galvanized sides
- Sturdy welded frame with heavy duty adjustable legs
- Six (6) 9" diameter hobs; 2.6 kw front hobs, 2kw rear hobs
- Oven temperature range 125° F to 500° F
- Two (2) oven heating elements;
  - one for oven roasting, one ceiling element for broiling



Model CS-ER24-208

 **WARNING:** This product can expose you to certain chemicals, which are known to the State of California to cause cancer or birth defects or other reproductive harm. For more information go to: [www.P65Warnings.com](http://www.P65Warnings.com)



Model	Phase Amps	Volts / HZ	Total Heating Power	Oven Size	Packing Size	Net Wt.	Gross Wt.
CS-ER36- 208	Single / 3 81.7 / 54.1	208 V / 60Hz	17 kW	25.8" x 22.4" x 13.8"	53" x 29" x 35"	375 lbs.	450 lbs.