

Custom Sheet Metal Restaurant Equipment Mfg
General Building Contractor

1777 North Main Street, Los Angeles, CA 90031
Tel: 323.222.9580, 323.222.0383, 800.228.7808
Fax: 323.222.3356
Email: ChinaPacificInc@gmail.com
Website: <http://www.ChinaPacificInc.com>
Facebook: <http://www.facebook.com/ChinaPacificInc>

Date: _____
Name: _____
Address: _____

Phone#: _____
Email: _____



Chinese Wok Range Purchase Order / Spec Sheet

1. 2 Jet Burner
2. Duck Tip Burner
3. 3-Ring Burner
4. 2-Ring Burner
5. 1 (Manual) / Auto Faucet
6. 2 Pilot Valve W/ Pilot Tip
7. Clock Valve W/ Knob
8. 2 Shut Off Valve W/ Handle



噴火式爐餅
Jet Burner
BTU - 120K/145K
23/32 Tip



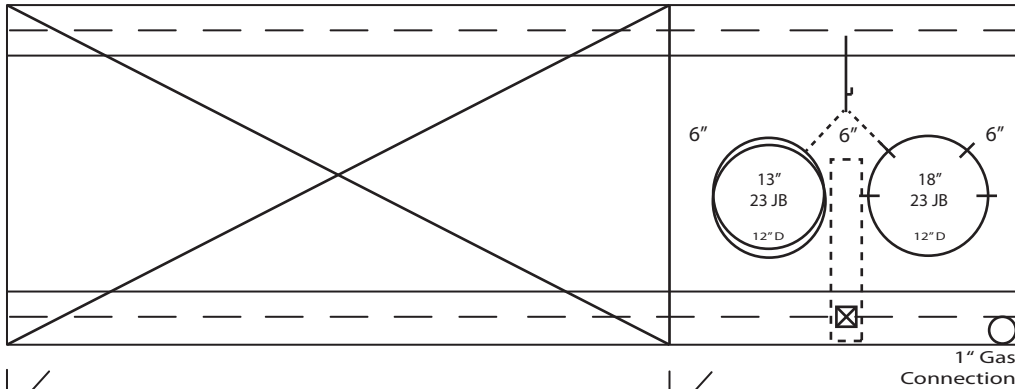
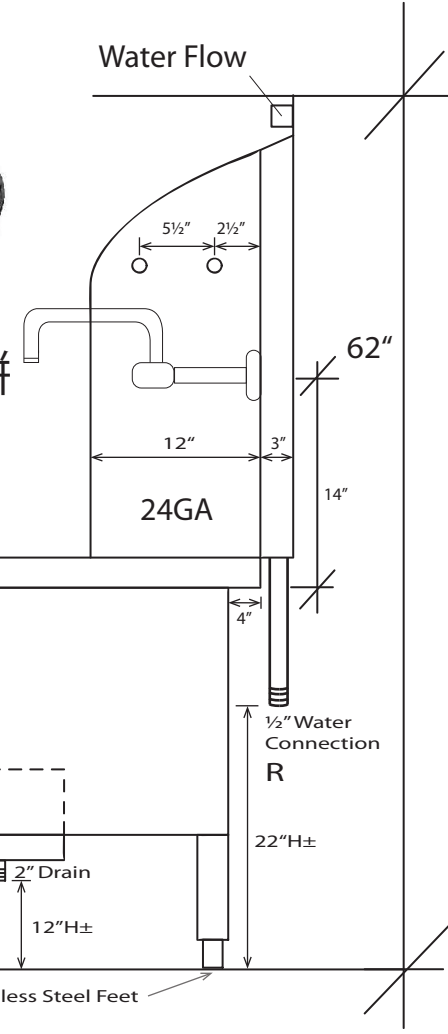
鴨嘴式爐餅
Duck Tip Burner
BTU - 100K



三環式爐餅
3-Ring Burner
BTU - 100K



二環式爐餅
2-Ring Burner
BTU - 50K



Order Taken By: _____

Customer Signature: _____

Date: _____