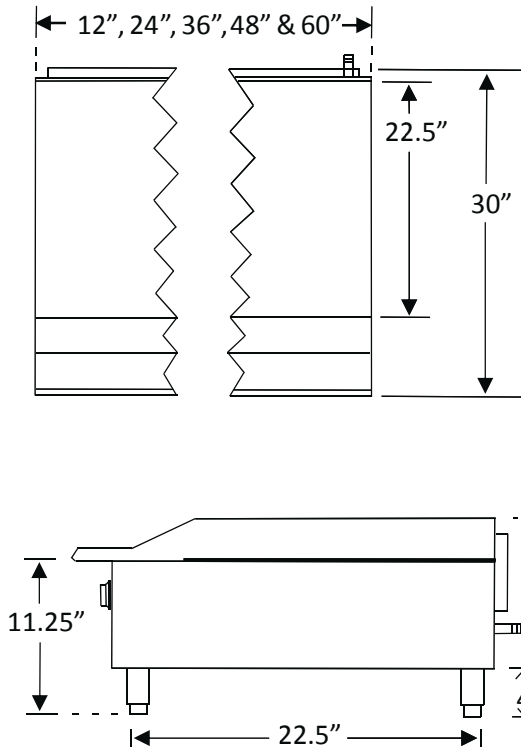




GRIDDLES

Manual Control CCHG Series
12", 24", 36", 48" & 60" widths



Model CCHG24-1



Standard Features, Benefits & Options

CONSTRUCTION: 24", 36", 48" & 60" wide models available. Easy cleaning, corrosion resistant stainless steel finish. Double wall construction. 3¼" bull-nose landing. 4" tall adjustable legs. High capacity stainless steel grease drawer.

CONTROLS: Castle griddles are equipped with brass gas valves, front accessible automatic standing pilots, pressure regulators and cool to the touch control knobs. 3/4" manifold connection.

BURNERS: Efficient stainless steel "U" shaped burners are rated at 30,000 BTU's each provide even heating across the cooking surface. 1 burner per 12" increment.

GRIDDLE PLATE: High polish cold roll steel, 1" thick by 22.5" deep plate, 12" model is ¾" thick. 3" grease trough. Plate seams are welded to prevent gap seepage.

TESTING: Optimal pressure is 5" WC for natural gas, 10" WC for propane. ETL design & ETL Sanitation (ANSI-NSF4) certified.

| Model # | Packing inches ----- millimeters | Burners ----- Total BTU | Net Wgt. lbs. / kg. | Gross Wgt. lbs. / kg. |
|----------|--|----------------------------------|------------------------|--------------------------|
| CCHG12 | 35 x 18 x 20 89 x 46 x 52 | 1 ----- 30,000 | 100 / 45 | 130 / 59 |
| CCHG24-1 | 35 x 35 x 20 89 x 89 x 52 | 2 ----- 60,000 | 220 / 100 | 275 / 125 |
| CCHG36-1 | 42 x 35 x 20 107 x 89 x 52 | 3 ----- 90,000 | 310 / 141 | 380 / 173 |
| CCHG48-1 | 53 x 35 x 20 134 x 89 x 52 | 4 ----- 120,000 | 420 / 191 | 500 / 227 |
| CCHG60-1 | 65 x 35 x 20 164 x 89 x 52 | 5 ----- 150,000 | 520 / 236 | 610 / 277 |



Comstock-Castle Stove Co. • 119 W. Washington St. • Quincy, IL. 62301
Tel.: 217-223-5070 • Fax.: 217-223-0007 • Web: www.castlestove.com

