



America's Oldest Stove Company
(Est. 1838)

Tortilla Chip Warmers



See website
for details



WARNING: This product can expose you to certain chemicals, which are known to the State of California to cause cancer or birth defects or other reproductive harm. For more information go to: www.P65Warnings.com



Standard Features, Benefits & Options

CONSTRUCTION: Easy cleaning, corrosion resistant stainless-steel construction. Heavy insulation for efficiency. Adjustable legs for leveling. Interior baffles to reduce chip breakage. Front panel & bottom baffle are easily removeable for interior cleaning. Doors open wide on top for easy filling and in front for quick chip scooping.

CONTROLS: 90° - 190°F adjustable thermostat control combined with an efficient fan to circulate even heat distribution to keep chips warm & fresh. On-off switch with light indicator. NEMA 5-15 plug.

TESTING: ETL design & NSF Sanitation certified.

Model Number	Chip Capacity	Frame Dimensions	Packaging Dimensions	Approx. Ship Wgt.
CC-TCW-26	26 gallons	26.5" w. x 30.5" d. x 30.5" h.	32" w. x 36" d. x 37" h.	140 lbs.
CC-TCW-46	46 gallons	26.5" w. x 30.5" d. x 38" h.	32" w. x 36" d. x 45" h.	175 lbs.

NOTICE: In an ongoing effort of product development & improvement, Comstock-Castle reserves the right to change specifications and product design without notice. Such modifications do not entitle the buyer to corresponding changes or replacements for previously purchased equipment.

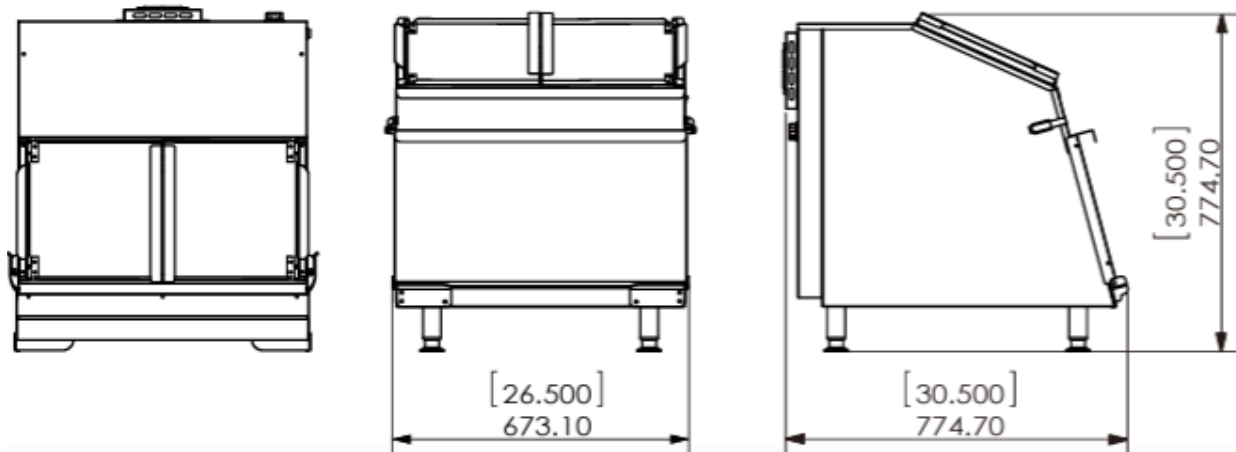


Comstock-Castle Stove Co. • 119 W. Washington St. • Quincy, IL. 62301
Tel.: 217-223-5070 • Fax.: 217-223-0007 • Web: www.castlestove.com

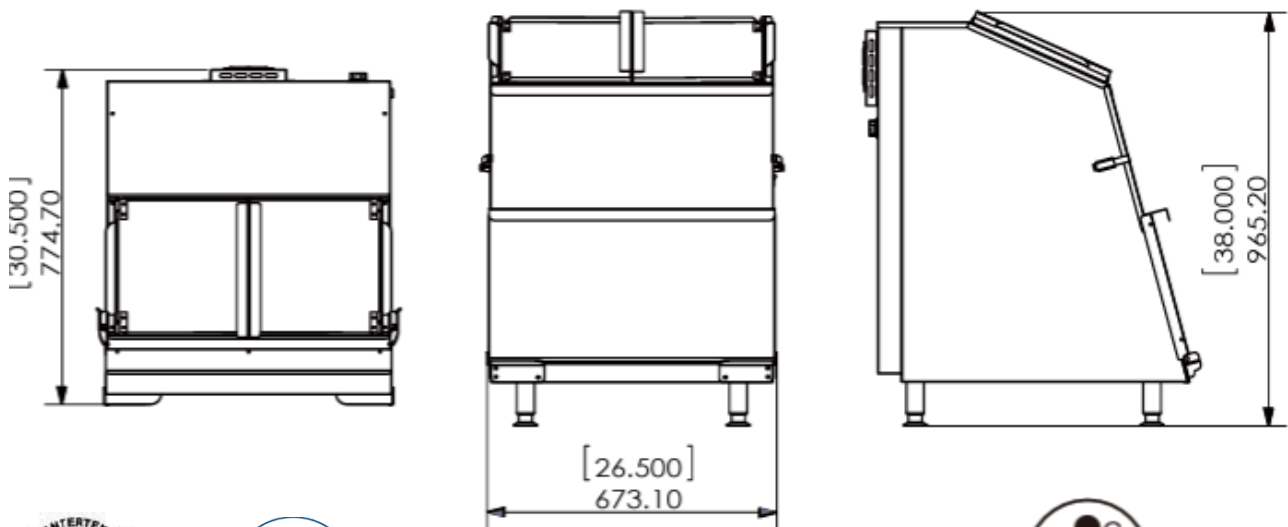




America's Oldest Stove Company
(Est. 1838)



CC-TCW-26 schematic above & CC-TCW-26 schematic below



5-15P



Comstock-Castle Stove Co. • 119 W. Washington St. • Quincy, IL. 62301
Tel.: 217-223-5070 • Fax.: 217-223-0007 • Web: www.castlestove.com

