



Item No.: _____
 Order No.: _____
 Qty: _____ Date: _____

Features

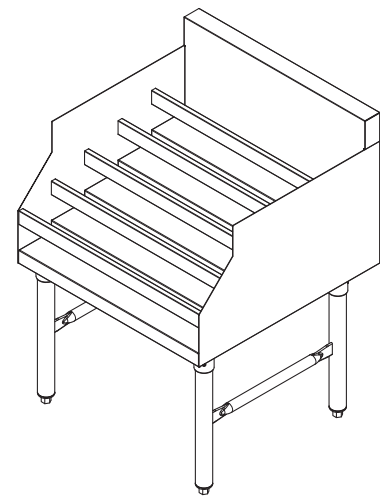
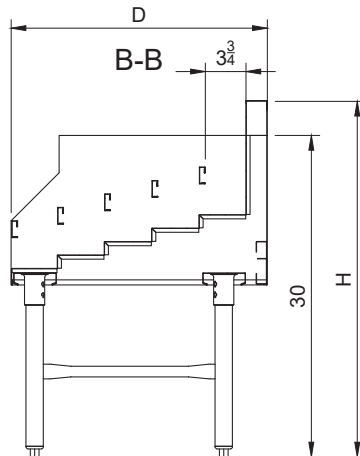
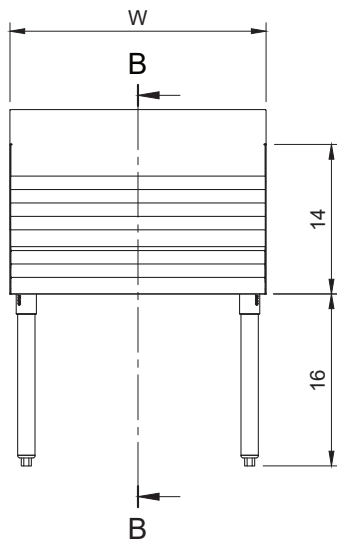
- Five-tiered step to display liquor bottles
- Steel straps secure bottles on steps
- All stainless steel construction
- Integrated 3" backsplash
- Galvanized legs and bracing with plastic bullet feet
- Perfect for bar service settings



Description **Five-Tier Stainless Steel Liquor Display Rack**

An excellent addition behind virtually any bar, this liquor display rack effectively boosts your bartender's efficiency while offering customers a glimpse of your liquor selection! This rack's bottom, back, sides, and steps are made of 18 gauge type 304 stainless steel that not only make it a durable addition to your bar setup, but also one that is extremely simple to clean.

Plan View **BS-LDR24xx**



Order No.	D x W x H (in)	Surface Height (in)	Capacity	G. W. (lb)	Pack/ case
BS-LDR2424	24 x 24 x 33-1/4	30"	30 Bottles	40	1
BS-LDR2436	24 x 36 x 33-1/4	30"	45 Bottles	50	1