



BJ120C

Citrus Bar Juicer with Compact Design



MAIN FEATURES

- Quickly and easily produces large quantities of pure, healthy juice from any citrus fruit. Juices up to 120 oranges per hour.
- Heavy-duty die-cast base and compact design mounted on vibration-dampening feet for extra-quiet, stable operation.
- Universal reamer thoroughly juices all types of citrus fruits from the smallest lemon to the largest grapefruit.
- Easy cleanup—juice bowl and reamer are dishwasher safe and lift off for easy cleaning.
- The 1-quart/1-liter serving container stores easily.
- Ideal for bars, restaurants, hospitals, cafeterias, and hotels.
- Limited One-Year Warranty.

ELECTRICAL

Voltage: 120V

Frequency: 60Hz

Watts: 150W

Amps: 0.5A

Plug Type: 5-15P

Cord Length: 3 feet



SALES FEATURES

Juice up to 120 oranges per hour with the Waring BJ120C Bar Juicer. Quickly and easily produce large quantities of pure, healthy juice. Thoroughly juice all types of citrus fruits from the smallest lemon to the largest grapefruit with a universal reamer. The compact design is ideal for juice bars, restaurants, hospitals, cafeterias, and hotels.

Citrus Bar Juicer with Compact Design



@waringcommercial

©2022 Waring Commercial
314 Ella T. Grasso Avenue, Torrington, CT 06790
Tel. 800-492-7464 • Fax 860-496-9008

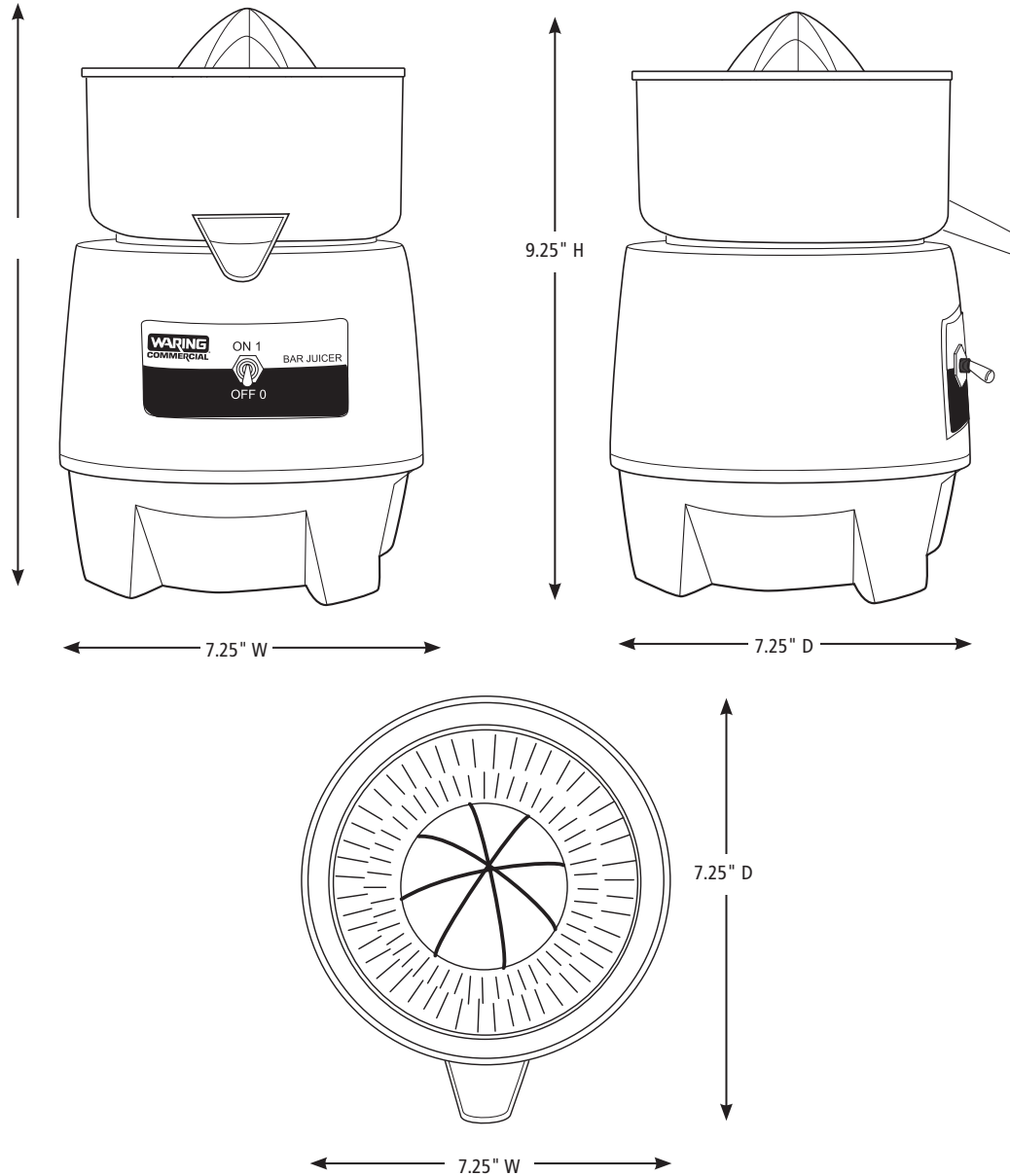
waringcommercialproducts.com

BJ120C



Citrus Bar Juicer with Compact Design BJ120C

DIMENSIONS



Out-of-Box Weight: 6 lb.

ORDERING INFORMATION	#STD. PKG.	GIFTBOX WEIGHT	CUBIC FEET	BOX DIMENSIONS D X W X H	UPC	CASE PKG.	MC WEIGHT	MC DIMENSIONS D X W X H	MBC
BJ120C – Citrus Bar Juicer	1	7.55 lb.	.71	17" x 7.75" x 9"	040072940095	1	7.55 lb.	17" x 7.75" x 9"	10040072000833



@waringcommercial

©2022 Waring Commercial
314 Ella T. Grasso Avenue, Torrington, CT 06790
Tel. 800-492-7464 • Fax 860-496-9008

waringcommercialproducts.com

22WC084713 / REV 06/22