

# Insulated Economy Warming & Holding Cabinets

## Standard Features

- Stainless steel exterior & interior
- ATWC-12 holds twelve (12) 18 x 26 pans and  
ATWC-24 holds twenty-four (24) 18 x 26 pans
- Heating mode with adjustable temperature settings  
between 90°F – 205°F
- Easy to read LED display
- Transparent clear polycarbonate door with 90° stay  
open feature for loading of product
- Fully insulated cabinet with environmentally friendly  
foaming material prevents heat loss, provides energy  
savings and environmental protection
- Integrated slides and removable control drawer for  
easy cleaning
- Field reversible door
- 10' power cord
- Four (4) casters standard – two locking, two swivel

## MODELS:

ATWC-12 / ATWC-24

**ATWC-12**



**ATWC-24**



1 YEAR PARTS AND LABOR WARRANTY



Conforms to ANSI  
STD Z83.11b-2009 (2011)  
Certified for CSA  
STD 1.8B-2009 (2011)  
Conforms to NSF/ANSI STD.4



REV. 06/25

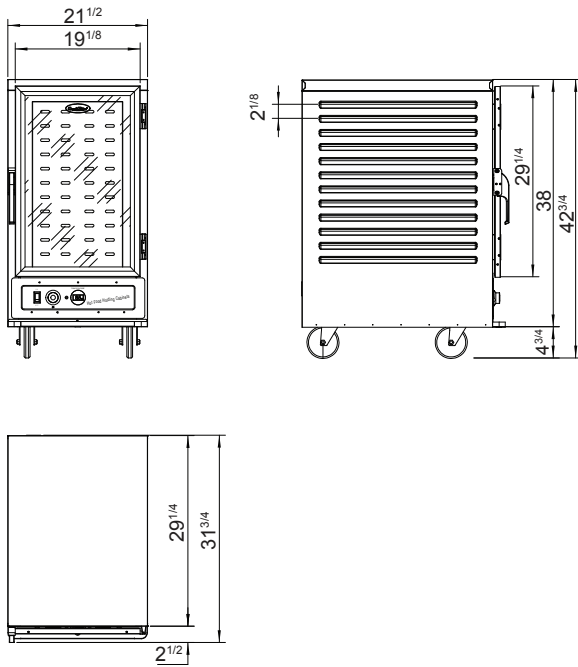
**“WE MAKE THE KITCHEN BETTER!”**

**SPECIFICATIONS**

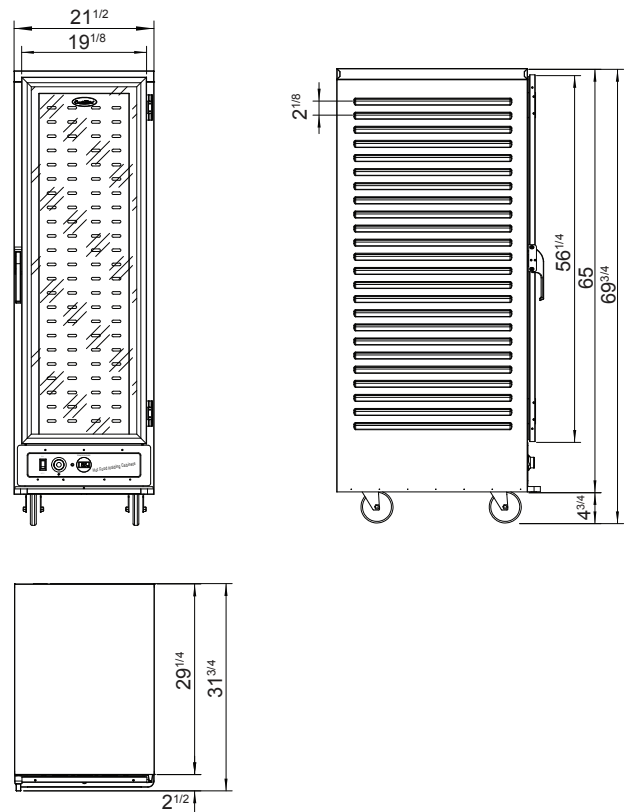
| Models  | Description              | Voltage (V) | Frequency | Rated Current (A) | Power (W) | Temperature Control Range (°F) | Capacity (layers) | Exterior Dimensions (inch)                              | Gross Weight (lb) |
|---------|--------------------------|-------------|-----------|-------------------|-----------|--------------------------------|-------------------|---|-------------------|
| ATWC-12 | Heated cabinet (12 pans) | 120         | 60        | 13.2              | 1580      | 90-205                         | 12                | 21 <sup>1/2</sup> ×31 <sup>3/4</sup> ×42 <sup>3/4</sup> | 135               |
| ATWC-24 | Heated cabinet (24 pans) | 120         | 60        | 13.2              | 1580      | 90-205                         | 24                | 220   |                   |

**PLAN VIEW**

**ATWC-12**



**ATWC-24**



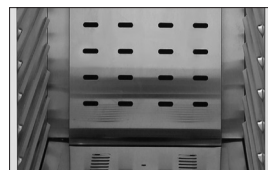
Polycarbonate door



Controller



Pan racks



**NEMA 5-15P**

