



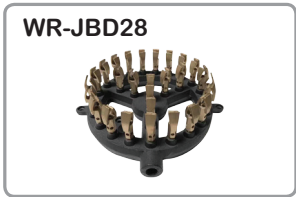
Item No.: _____
 Order No.: _____
 Qty: _____ Date: _____

HEAVY DUTY GAS STOCK POT RANGE

Features

- Stainless steel, dual wall construction
- Removable, full-width disposal tray
- Heavy-duty cast iron burner covers
- Adjustable front access pilots
- 6" heavy duty, stainless steel legs
- Gas regulator included

Burner Type:



5" water column on natural gas (NG)
 10" water column on propane gas (LP).

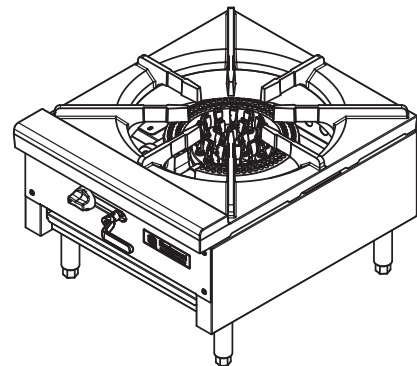
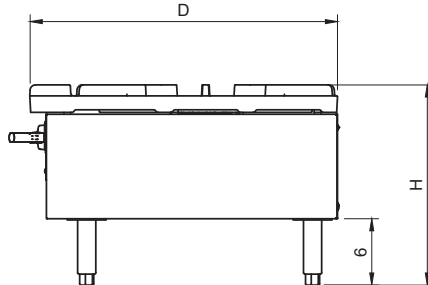
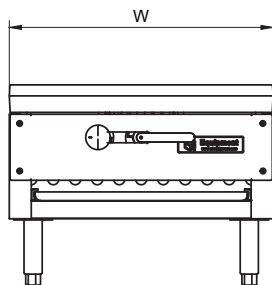


Description **Heavy Duty Gas Stock Pot Range**

Higher performance three rings burner counter top stock pot stove, heavy duty cast iron burner covers, two manual controls, stainless steel dual wall construction design, removable disposal tray, 6" stainless steel legs. Available in natural gas and liquid propane gas models, 3/4" gas inlet.

1 year warranty for part and labor. warranty limit to replacement of equal or better unit.
 Specifications subject to change without notice!

Plan View **AESP1-3R18-24(18)**



Order No.	D x W x H (in)	Description	Knobs Control	BTU	Inlet	Available Model	G. W. (lb)
AESP1-3R18-24(18)	28 x 24 x 18-1/4	Higher Performance 3 Rings Burner w/ 18 Duck Tips Burner (WR-3R18D)	2	180,000	3/4"	NG/ LP	175
AESP1-3R18-24(28)	28 x 24 x 18-1/4	Higher Performance 28 Duck Tips Burner (WR-JBD28)	2	180,000	3/4"	NG/ LP	172