



Item No.: _____
 Order No.: _____
 Qty: _____ Date: _____

COUNTER TOP HOT PLATE

Features

- Durable stainless steel construction
- Gas counter top broiler
- Removable, full-width disposal tray
- Corrosion-resistant and easy to clean
- Easy to manipulate and maintain
- Thick stainless steel radiant plate for even heating
- Independent manual controls to save energy
- Cool to touch front edge
- Space saving design

5" water column on natural gas (NG)
 10" water column on propane gas (LP).



Description Counter Top Hot Plate Series

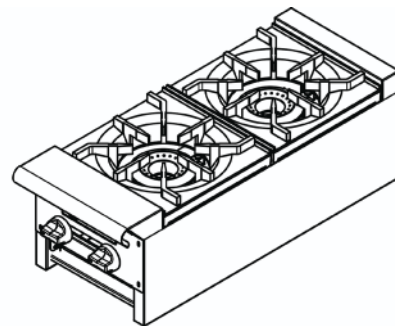
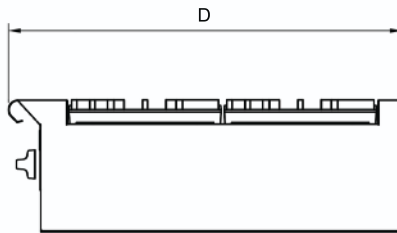
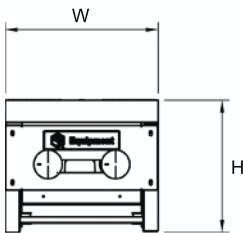
Counter top hot plate series come with 5 models with different BTU/ hr, durable stainless steel construction, removable disposal tray. It is designed for easier cleaning, space saving, easy to manipulate and maintain at the same time. Available in natural gas and liquid propane gas models with 3/4" gas inlet.

1 year warranty for part and labor. warranty limit to replacement of equal or better unit.
 Specifications subject to change without notice!

Plan View

AEHP-12

Optional attachments/ accessories available, contact for more information about these items.



Order No.	D x W x H (in) & Description	BTU	Inlet	Available Model	G. W. (lb)
AEHP12	30 x 12 x 10, 2 Burners Counter Gas Hot Plates	64,000	3/4"	NG/ LP	71
AEHP24	30 x 24 x 10, 4 Burners Counter Gas Hot Plates	128,000	3/4"	NG/ LP	130
AEHP36	30 x 36 x 10, 6 Burners Counter Gas Hot Plates	192,000	3/4"	NG/ LP	186
AEHP48	30 x 48 x 10, 8 Burners Counter Gas Hot Plates	256,000	3/4"	NG/ LP	240
AEHP60	30 x 60 x 10, 10 Burners Counter Gas Hot Plates	320,000	3/4"	NG/ LP	305