



Item No.: _____
Order No.: _____
Qty: _____ Date: _____

WALL MOUNTED HANDS-FREE MULTI-STATION SINK

Features

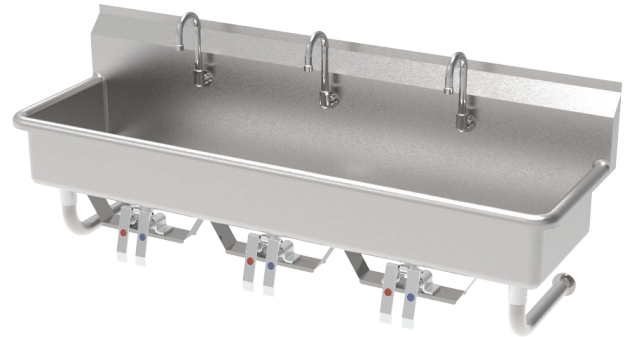
- hands-free use design
- Features an 8" deep bowl for convenience
- Knee operated hot & cold valve allows for easy
- 8" high backsplash protects walls from water damage
- Knee operated faucet with gooseneck spout

Included Accessory:

AA-515G



AA-203G



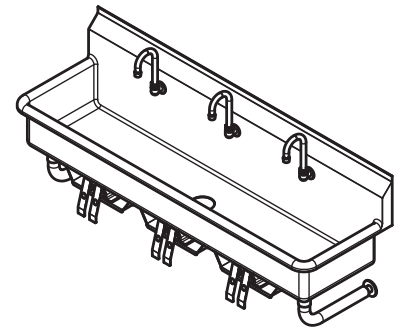
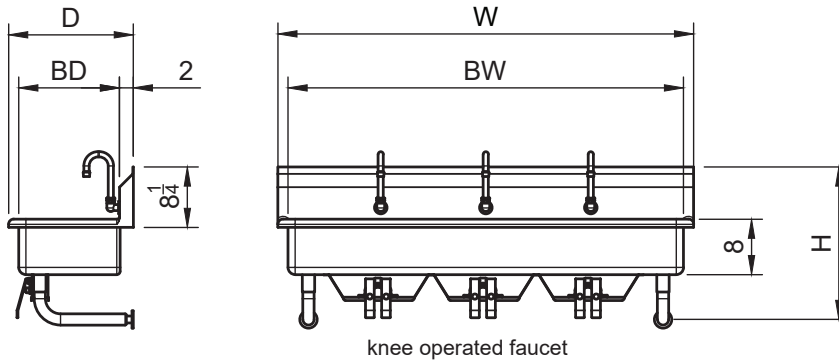
Description

Wall Mounted Hands-Free Multi-Station Sink

Perfect for restaurant kitchens, grocery stores, and industrial settings, this multi-station hand sink with 8" deep bowl and 2 knee operated faucets maximizes your space while offering a sink solution that meets your needs. The rolled-rim design provides additional strength, and the 14-gauge stainless steel construction is sturdy enough to withstand commercial use. Plus, the hands-free, knee operated faucets promote sanitation, allowing you to easily operate the flow of water without touching the faucets. With its 8" bowl depth, this sink is ideal for basic hand washing.

Plan View

ACE-MWS-1860K



Order No.	D x W x H (in)	Faucet	BD	BW	Ga.	G. W. (lb)
ACE-MWS-1836K	17-3/4 x 36 x 28	1	14	33	18	35
ACE-MWS-1848K	17-3/4 x 48 x 28	2	14	45	18	50
ACE-MWS-1860K	17-3/4 x 60 x 28	3	14	57	18	64
ACE-MWS-1872K	17-3/4 x 72 x 28	3	14	69	16	75