



Item No.: \_\_\_\_\_  
 Order No.: \_\_\_\_\_  
 Qty: \_\_\_\_\_ Date: \_\_\_\_\_

**Features**

- Stores and transport goods
- Reinforced construction with 6 cross support bars
- End load sheet pan rails
- 3" spacing between rails
- Easily maneuverable on four 6" swivel casters.

**Replacement Parts:**

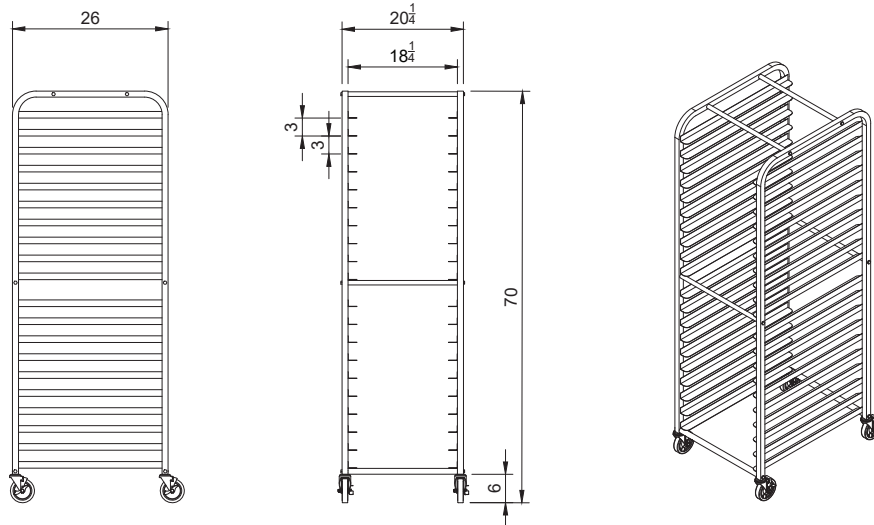
KP6114



**Description Aluminum Knock-Down 20 Full Size Bun Pan Rack**

A 20 pan end load sheet pan rack is designed to hold and transport a variety of your most popular baked goods or meats. This rack is durable, high quality, and will save precious space for your catering business, bakery, cafe, supermarket, or restaurant. This rack provides chefs with the ability to store multiple sheet pans in one convenient location and also facilitates proper cooling of your freshly baked treats. Additionally, this rack works well for storing trays of food at hospitals, cafeterias, or health care facilities.

**Plan View AAR-2022-A**



Order No.	Dimension (in)	Pan Size (in)	Caster Height	Pan Capacity	G. W. (lb)	Pack/ case
AAR-2022-A	26 x 20-1/4 x 70	18 x 26	6"	20	87	1