

Budget Sinks

1 Sink Bowl
Stainless Steel

Model No.

BS1-2424



← **BS1-2424**

Additional Sizes

- BS1-1818
- BS1-1821
- BS1-2424
- BS1-3621
- BS1-3624

Features:

- 18 Gauge 430 Series Stainless Steel.

Warranty Info:

- See Last Pages



Revised

04/29/2024



BS1-2424

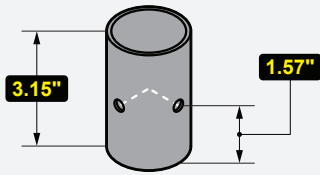
- BS1-1818
- BS1-1821
- BS1-2424
- BS1-3621
- BS1-3624

www.servware.com

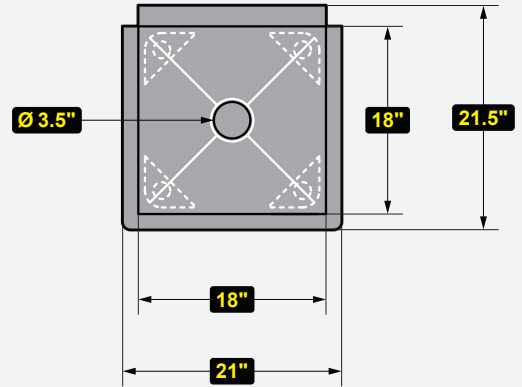
Phone:(800).768.5953

Fax:(800).976.1299

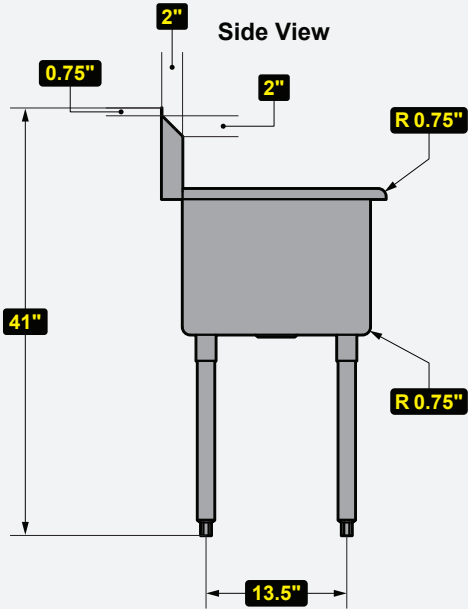
Socket View



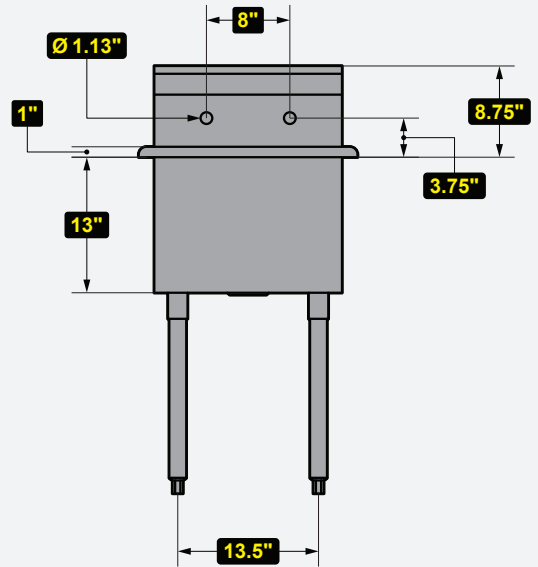
Top View



Side View

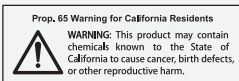


Front View



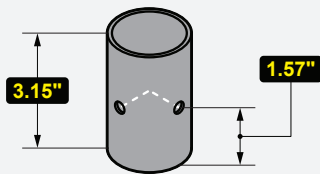
MODEL #	DESCRIPTION	DIMENSIONS (W x D x H)	WEIGHT/LBS. (Shipping)
BS1-1818	21" Budget Sink	21" W x 21.5" D x 41" H	29 lbs.

# OF BOWLS	BOWL DIMENSIONS (W x D x H)	BACK SPLASH
1	18" W x 18" D x 13" H	N/A

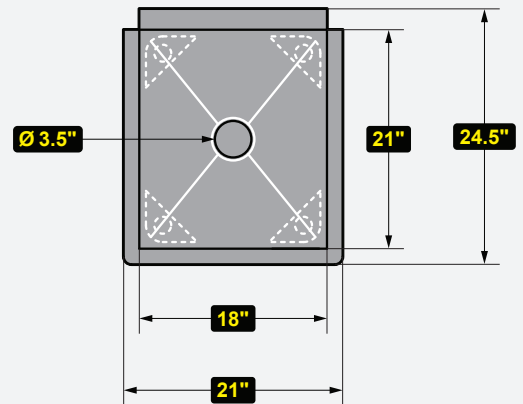


Phone:(800).768.5953
 Fax:(800).976.1299

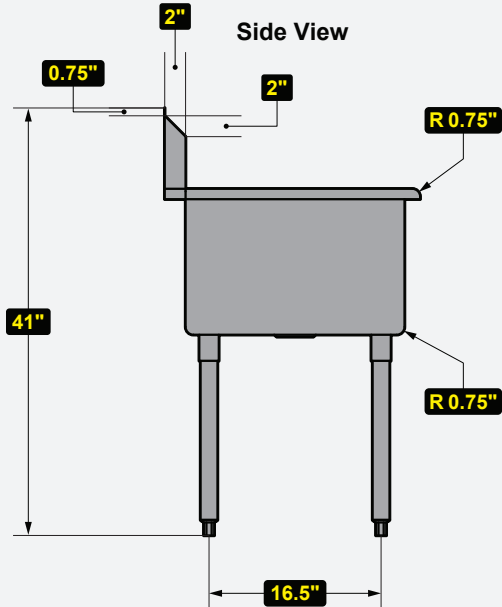
Socket View



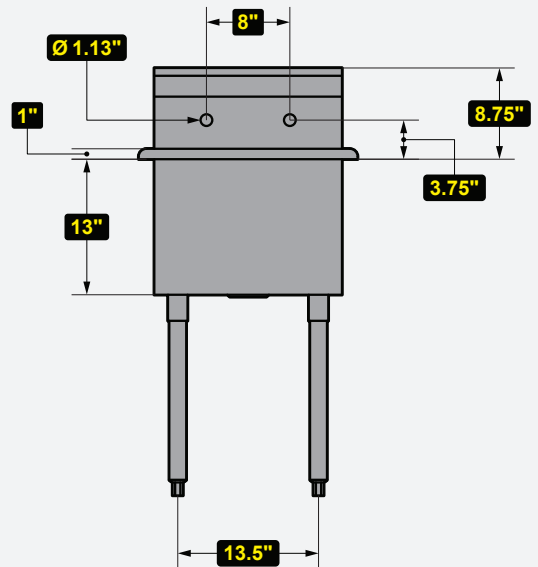
Top View



Side View

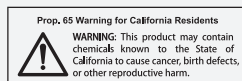


Front View

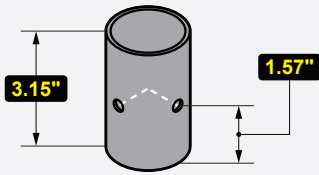


MODEL #	DESCRIPTION	DIMENSIONS (W x D x H)	WEIGHT/LBS. (Shipping)
BS1-1821	21" Budget Sink	21" W x 24.5" D x 41" H	33 lbs.

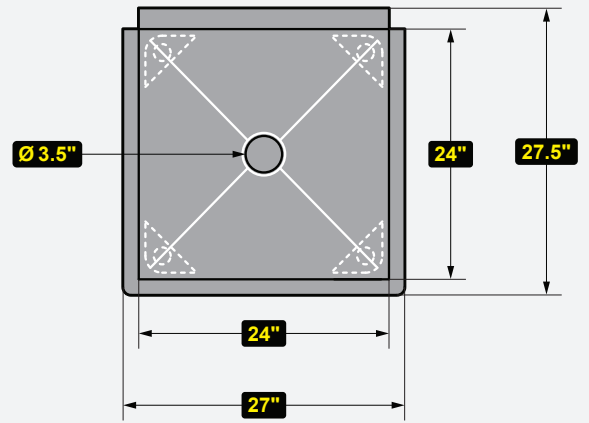
# OF BOWLS	BOWL DIMENSIONS (W x D x H)	BACK SPLASH
1	18" W x 21" D x 13" H	N/A



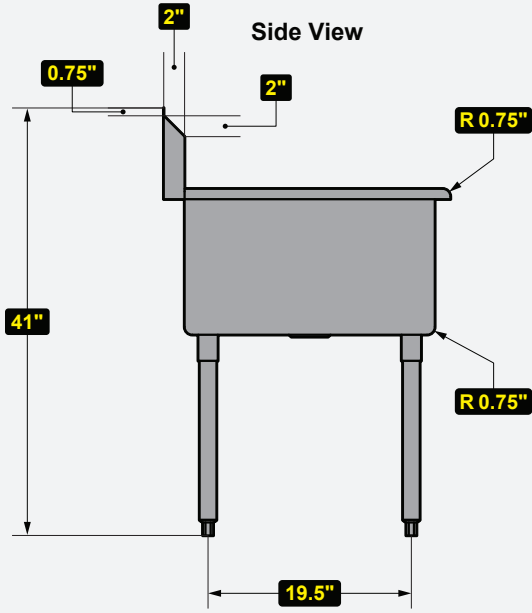
Socket View



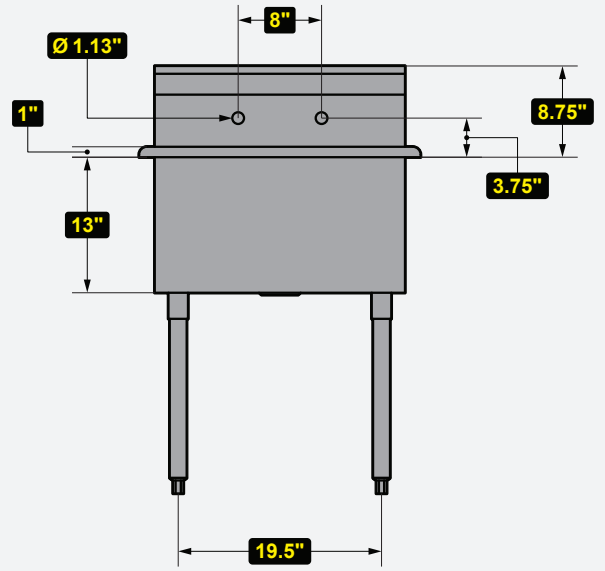
Top View



Side View



Front View



MODEL #	DESCRIPTION	DIMENSIONS (W x D x H)	WEIGHT/LBS. (Shipping)
BS1-2424	27" Budget Sink	27" W x 27.5" D x 41" H	39 lbs.

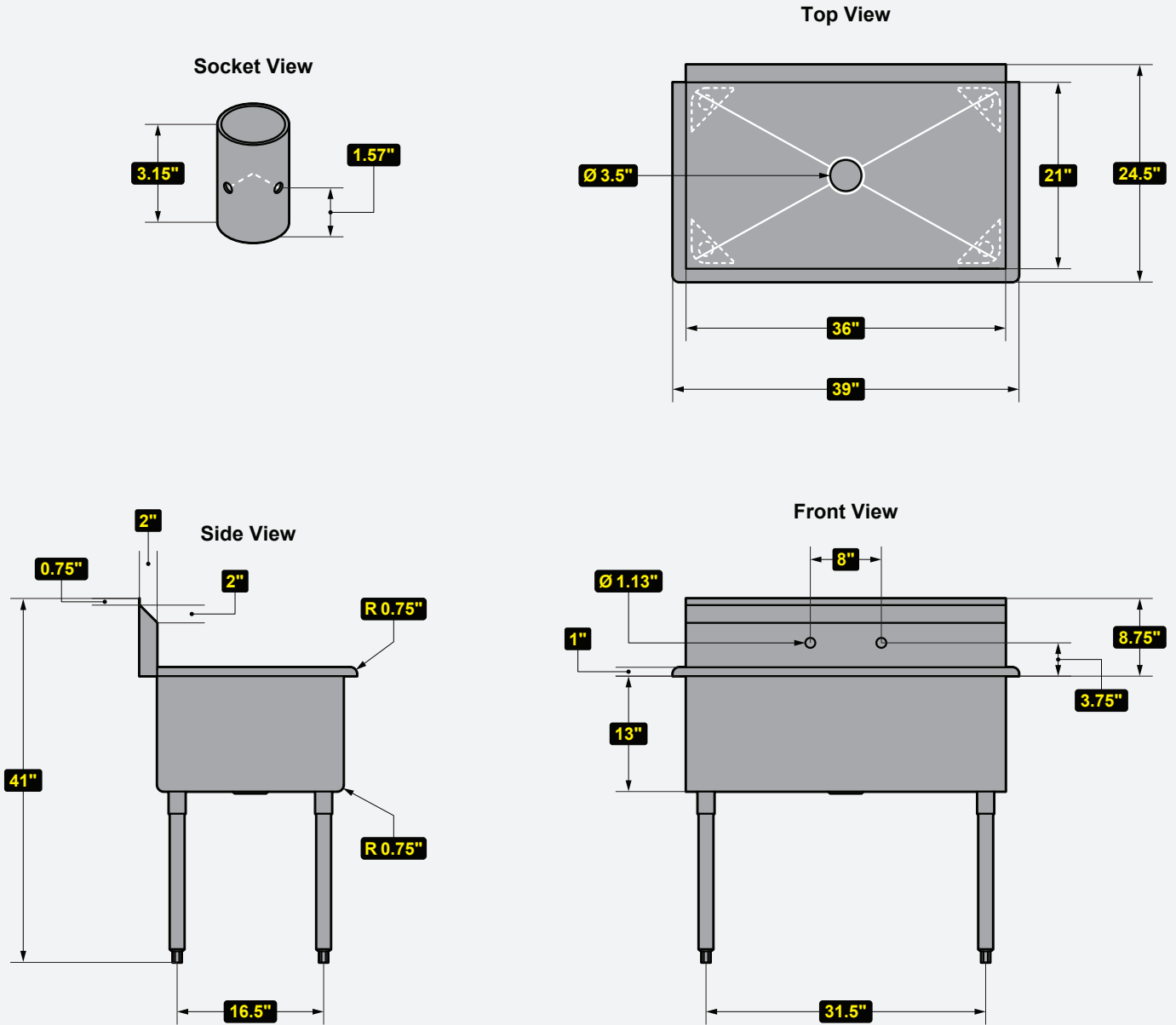
# OF BOWLS	BOWL DIMENSIONS (W x D x H)	BACK SPLASH
1	24" W x 24" D x 13" H	N/A



Prop. 65 Warning for California Residents
 WARNING: This product may contain chemicals known to the State of California to cause cancer, birth defects, or other reproductive harm.



Phone:(800).768.5953
 Fax:(800).976.1299

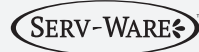


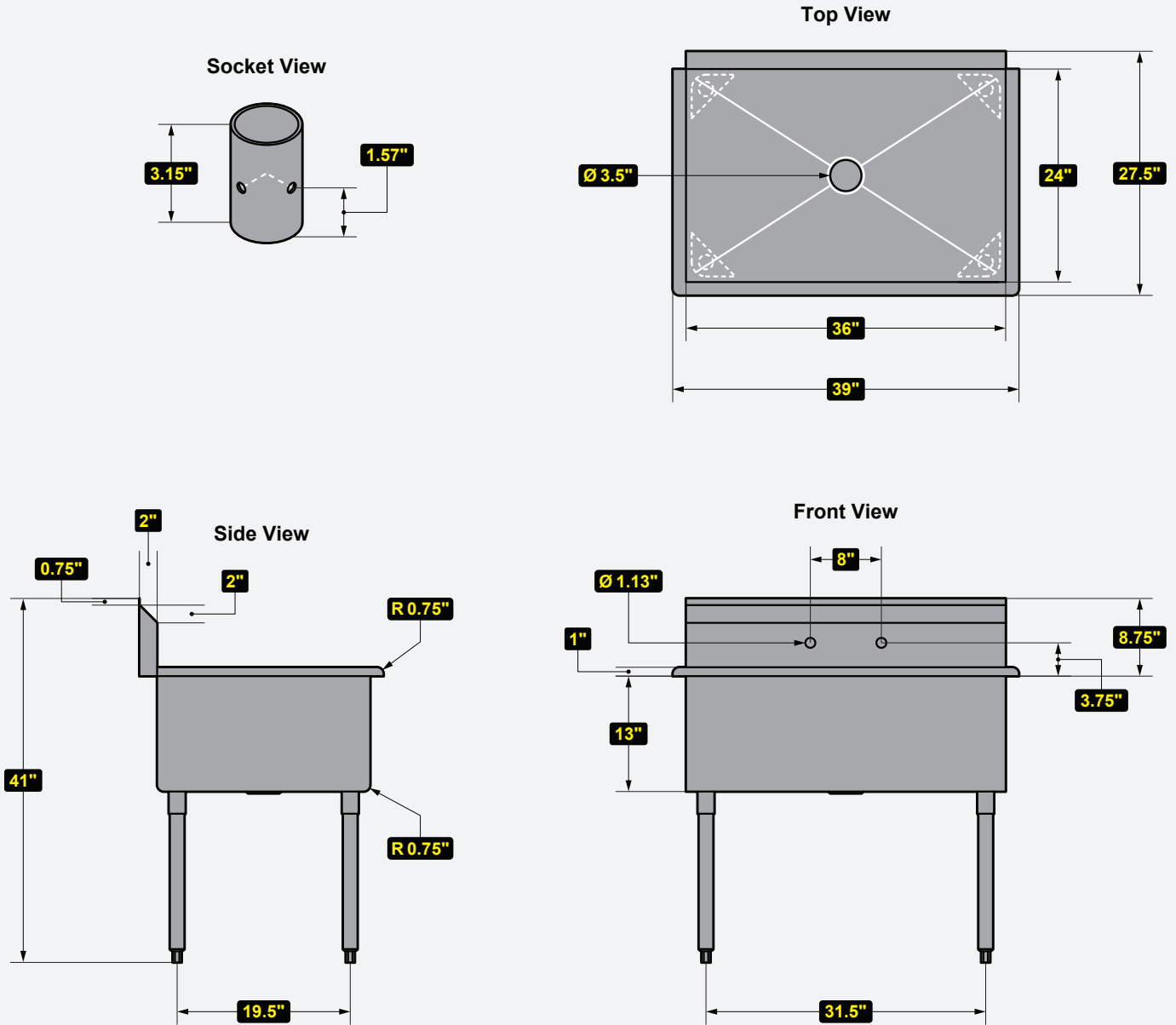
MODEL #	DESCRIPTION	DIMENSIONS (W x D x H)	WEIGHT/LBS. (Shipping)
BS1-3621	39" Budget Sink	39" W x 24.5" D x 41" H	47 lbs.

# OF BOWLS	BOWL DIMENSIONS (W x D x H)	BACK SPLASH
1	36" W x 21" D x 13" H	N/A



Prop. 65 Warning for California Residents
 WARNING: This product may contain chemicals known to the State of California to cause cancer, birth defects, or other reproductive harm.





MODEL #	DESCRIPTION	DIMENSIONS (W x D x H)	WEIGHT/LBS. (Shipping)
BS1-3624	39" Budget Sink	39" W x 27.5" D x 41" H	51 lbs.

# OF BOWLS	BOWL DIMENSIONS (W x D x H)	BACK SPLASH
1	36" W x 24" D x 13" H	N/A



Prop. 65 Warning for California Residents
 WARNING: This product may contain chemicals known to the State of California to cause cancer, birth defects, or other reproductive harm.



Serv-Ware Sinks - Non NSF Budget Sinks

Notify carrier of damage! Inspect all components immediately.

Serv-Ware Products warrants to the original owner/user that the Non NSF Budget Sinks shall be free of defects in material or workmanship, under normal use and maintenance, for a period of ninety (90) days from the original installation date or a maximum of one-hundred twenty (120) days after the shipment date from Serv-Ware Products. Proper installation will be taken into consideration when evaluating the warranty on the specified equipment. *This warranty does **not** include labor charges.

This warranty does not include coverage resulting from:

- Any rusting of these Non NSF Budget Sinks
- Adverse operating conditions for the product.
- Failure to clean and/or maintain the product.
- Standard wear & tear items.
- Damage that is caused by employees or customers.
- Any part or assembly that has been altered, modified, or changed.
- Equipment usage in a residential or non-commercial setting.

LIMITATION OF LIABILITY AND OTHER WARRANTIES

Serv-Ware Products assumes no liability for misuse or inadequate maintenance of the Product. **In no event shall the user be entitled to recover incidental or consequential damages. Including but not limited to; damages for inconvenience, food loss, rental or replacement equipment, loss of profits, or other commercial loss.**

Warranties stated above are the only warranties made in connection with the sale and distribution of the Products. **ANY AND ALL OTHER EXPRESSED STATUTORY AND IMPLIED WARRANTIES APPLICABLE TO THE PRODUCT INCLUDING, WITHOUT LIMITATION, ALL IMPLIED WARRANTIES OF MERCHANTABILITY AND FITNESS FOR USE ARE EXPRESSLY DISCLAIMED.** The warranty information set forth above shall be governed by and construed in accordance with the laws of the State of North Carolina and, if applicable, the laws of the United States of America. The warranty, as stated, is extended only to the original owner/user and is not assignable. Serv-Ware reserves the right to change product specifications without notice due to constant product improvement.